

LYFA

LYFA Divan 2 Pendant

LA10885/P

SOURCE: <https://www.davidvillagelighting.co.uk/product/LYFA-Divan-2-Pendant/10001359>



PRODUCT DESCRIPTION

Designer: Simon P. Henningsen

LYFA Divan 2 Pendant

LYFA Divan 2 Pendant was originally designed by Simon P. Henningsen in 1962 for Tivoli's famous restaurant in Copenhagen. Henningsen collaborated on this shade with his famous father, Poul Henningsen. The downward-facing pendants are a masterpiece of colourful designs and a sculptural piece of art even when switched off.

The Original Divan 2 Pendant possesses shards with kaleidoscopic colours which include red, blue, purple, beige, and teal with a mirrored exterior. Each shard on the shade is polished by hand. The [Divan 2 collection](#) includes five different-sized pendants and a table lamp. Size 245 is also available in a brass colourway.

Please [contact us](#) for information on sizes 400, 550 and 700.

PRODUCT SPECIFICATION

Light Source: 160

1x Max 40W, E14 (Excluded)

245

1x Max 60W, E27 (Excluded)

IP Code: 20

Dimming: Dimmable via mains phase dimming

Dimensions: 160

Height: 22cm

Width: 16cm

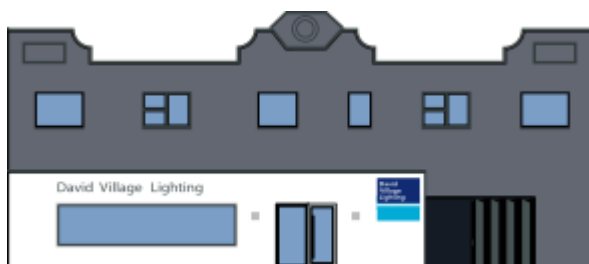
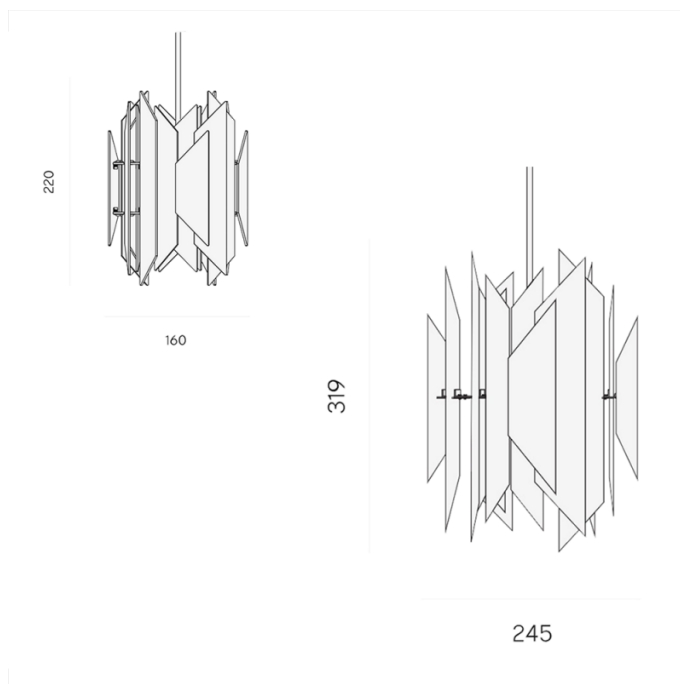
Diameter: Ø 16cm

245

Height: 31.9cm

Width: 24.5cm

Diameter: Ø 24.5cm



For all sales and technical enquiries, please contact:

+44 (0)114 263 4266

info@davidvillagelighting.co.uk

www.davidvillagelighting.co.uk