

LYFA

LYFA Repose Wall Light

LA10883

SOURCE: <https://www.davidvillagelighting.co.uk/product/LYFA-Repose-Wall-Light/10001354>

PRODUCT DESCRIPTION

Designer: GamFratesi

LYFA Repose Wall Light

LYFA Repose Wall Light is designed by GamFratesi. The GamFratesi Studio was founded in 2006 by the Danish architect Stine Gam and the Italian architect Enrico Fratesi. The Repose wall lamp shows GamFratesi's passion for craftsmanship, contradictions and graceful aesthetic. Its strong essence of personality is accomplished by the poetic balance point of the thin line passing through the organic shades.

The Repose Wall Light is made from three layers of mouth-blown opal glass which is attached to a metal-plated arm and base. Each Shade has its own organic shape that adopts the natural plasticity of glass and how it changes form and direction the larger it gets. The shades are completed with a metal pin passing through the neck of the shades. The [Repose collection](#) consists of three different-sized pendants, a wall light, and a table lamp.



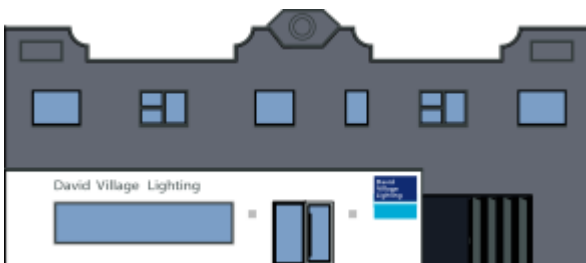
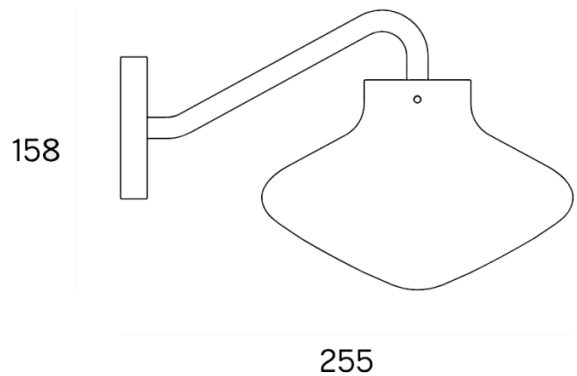
PRODUCT SPECIFICATION

Light Source: 1x Max 28W, G9 (Excluded)

IP Code: 20

Dimming: Dimmable via mains phase dimming

Dimensions: Width: 17.5cm
Depth: 25.5cm
Height: 15.8cm



For all sales and technical enquiries, please contact:

+44 (0)114 263 4266

info@davidvillagelighting.co.uk

www.davidvillagelighting.co.uk