

LODES

Lodes Tidal LED Ceiling Light

LA10876

SOURCE: <https://www.davidvillagelighting.co.uk/product/Lodes-Tidal-LED-Ceiling-Light/10001336>

PRODUCT DESCRIPTION

Designer: Needs Studio

Lodes Tidal LED Ceiling Light

The Lodes Tidal LED Ceiling Light is a circular lighting solution that takes its name from the effect of the motion of the tide. The shape of the structure resembles the movement of the waves with one side wider than the other, making the shapeshift depending on where you are stood below.

Tidal is crafted from die-cast aluminium and projects the light both downwards and outwards at the same time. The ring discreetly hides all the technical elements inside, emphasising the shape and aesthetic value of the light. The LED light source emits a sufficient glare-free glow that can illuminate an entire room, with an output of 3000K it produces a warm white illumination.

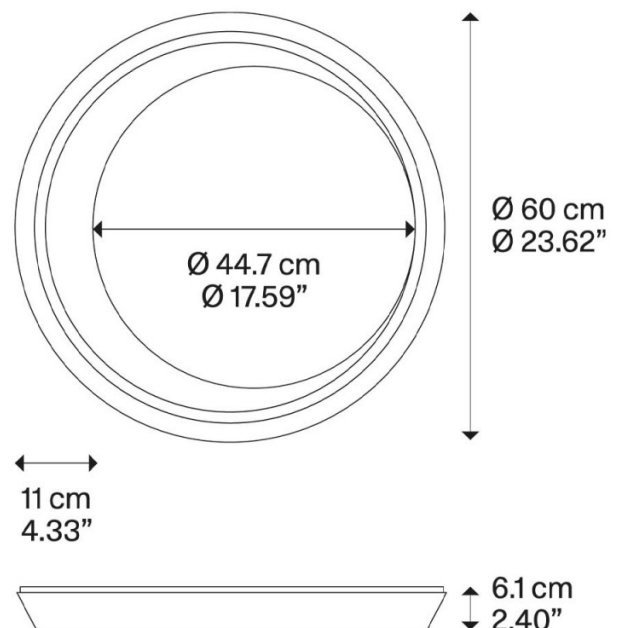
The Lodes Tidal Ceiling Light is available in three subtle matt finishes, white, terra or champagne. While white suits minimalist interiors, the terra and champagne tones offer a warmer and more decorative touch to your environment.

**Please Note: the Lodes Tidal can be supplied with an output of 2700K upon request. [Contact us](#) for more information and pricing.**



PRODUCT SPECIFICATION

- Light Source:** 23.4W, 3000K, 4700 Lumens
- IP Code:** 20
- Dimming:** Dimmable via Triac dimming.
- Dimensions:** Ø60cm  
Depth: 6.1cm





**For all sales and technical enquiries, please contact:**

+44 (0)114 263 4266

[info@davidvillagelighting.co.uk](mailto:info@davidvillagelighting.co.uk)

[www.davidvillagelighting.co.uk](http://www.davidvillagelighting.co.uk)