

CLEARANCE OFFERS

DAVIDE GROPPI LINET LED WALL LIGHT CLEARANCE EX-DISPLAY

LA5962/CLEARANCE

SOURCE: <https://www.davidvillagelighting.co.uk/product/Daive-Groppi-Linet-LED-Wall-Light-CLEARANCE-EX-DISPLAY/10001313>



PRODUCT DESCRIPTION

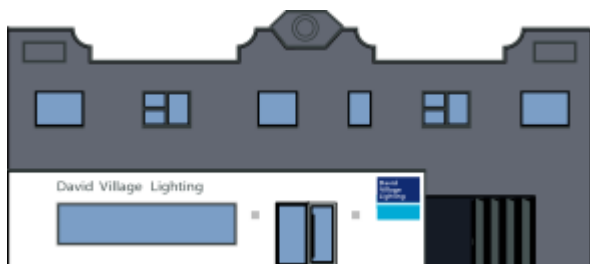
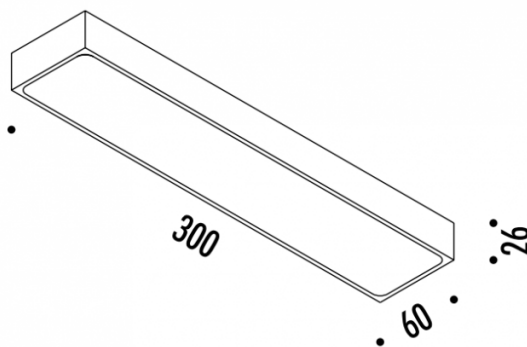
DAVIDE GROPPI LINET WED WALL LIGHT

Ex-Display, boxed in non-original packaging.
Some signs of wear and tear. See images for exact condition.
1 x Available.

Designed by Omar Carraglia, the Linet Wall Light by Davide Groppi is a minimalistic rectangular LED lighting solution, that emits a functional illumination downwards. Linet can be installed individually or combined with other Linet wall lights to form larger clusters. The luminaire is pure form, a simple container for the light source. Light is incorporated into the space, becoming an architectural element.

PRODUCT SPECIFICATION

- Light Source:** 11.5W, 3000K, 1300 Lumens
- IP Code:** 20
- Dimming:** Dimmable via Triac/IGBT dimming systems. Please consult your electrician, additional wiring may be required on site.
- Dimensions:** Length: 30cm
Depth: 6cm
Height: 2.6cm



For all sales and technical enquiries, please contact:

+44 (0)114 263 4266

info@davidvillagelighting.co.uk

www.davidvillagelighting.co.uk