

Resident

Resident Hex 1000 LED Pendant

LA4455/1000

SOURCE: <https://www.davidvillagelighting.co.uk/product/Resident-Hex-1000-LED-Pendant/10001294>



PRODUCT DESCRIPTION

Designer: Resident Studio

Resident Hex 1000 Pendant

Resident Hex 1000 Pendant is a member of the 'Geometric Family' that brings the beauty of mathematical accuracy into ingenious and practical feature lighting in both the home and commercial environments. The pendant is suspended from discreet slim line wires, with a high-quality LED light source that is elegantly diffused through recessed frosted acrylic.

Hex 1000 works well as a singular pendant, displayed in multiples or with other members of the geometric lighting family. Handmade in Auckland, New Zealand. The pendant is available in an aluminium, brass and black finish.

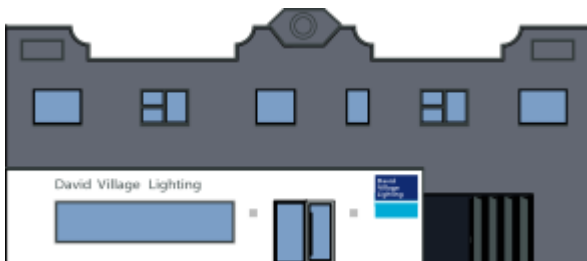
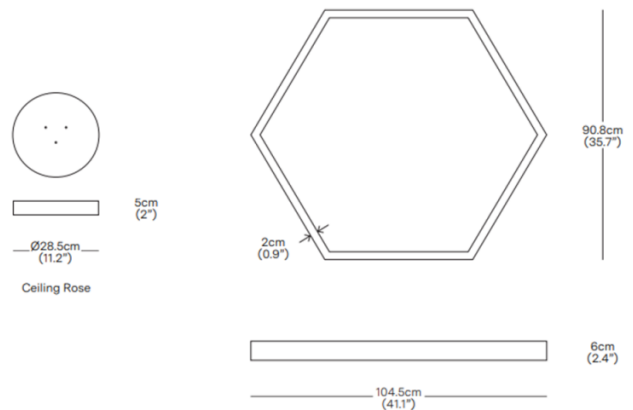
PRODUCT SPECIFICATION

Light Source: 90W, 2700K, 4725 Lumens

IP Code: 20

Dimming: Dimmable via mains phase dimming

Dimensions: Width: 104.5cm
Shade height: 6cm
Full depth: 90.8cm
Shade depth: 2cm



For all sales and technical enquiries, please contact:

+44 (0)114 263 4266

info@davidvillagelighting.co.uk

www.davidvillagelighting.co.uk