

Resident

Resident Ghost Pendant

LA10854

SOURCE: <https://www.davidvillagelighting.co.uk/product/Resident-Ghost-Pendant/10001284>



PRODUCT DESCRIPTION

Designer: Resident Studio

Resident Ghost Pendant

The Resident Ghost Pendant, designed in 2022 by Resident Studio, exemplifies minimalist elegance and innovative design. Handmade in Auckland, New Zealand, the pendant is crafted from two pristine borosilicate glass tubes, offering a clean and timeless aesthetic. An integrated warm LED light source invisibly illuminates the glass, creating a glowing ring along its lower edges. This unique interplay of light and material results in a delicate yet impactful presence, perfect for lighting spaces below.

Ideal for both residential and commercial settings, the Ghost Pendant can be installed individually or in multiples to suit a variety of interior styles. For a bolder statement, the collection includes a cluster pendant version and a complementary floor lamp. Contact us for more information about custom configurations or further details on the Ghost collection.

PRODUCT SPECIFICATION

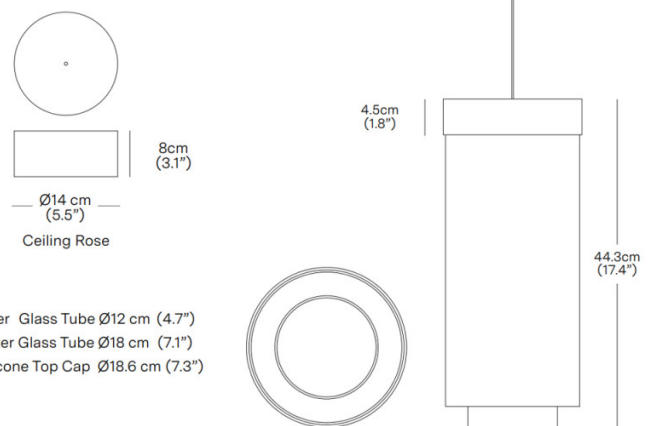
Light Source: 25W, 3000K, 500 Lumens

IP Code: 20

Dimming: Dimmable via mains phase dimming.

Dimensions: Shade: Ø18.6cm
 Shade Height: 44.3cm
 Canopy: Ø14cm
 Canopy Height: 8cm

Cable Length: 30-300cm



For all sales and technical enquiries, please contact:

+44 (0)114 263 4266

info@davidvillagelighting.co.uk

www.davidvillagelighting.co.uk