

CLEARANCE
OFFERS

LA10844

Artemide Incalmo 214 LED Pendant CLEARANCE EX- DISPLAY

SOURCE: <https://www.davidvillagelighting.co.uk/product/Artemide-Incalmo-214-LED-Pendant-CLEARANCE-EX-DISPLAY/10001255>



PRODUCT DESCRIPTION

Designer: Carlotta de Bevilacqua

Artemide Incalmo 214 LED Pendant

Ex-Display, signs of wear and tear. Boxed in non-original packaging.

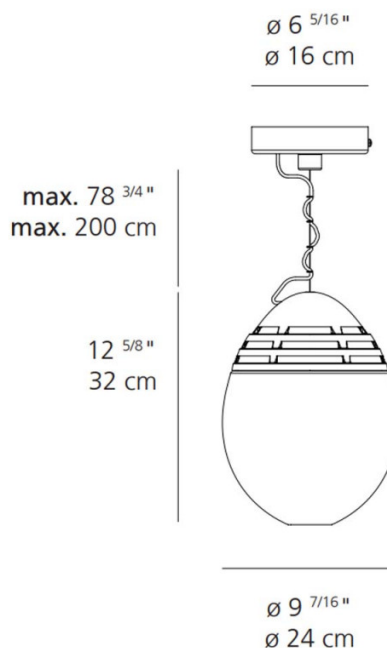
1 x Available.

Incalmo was born: from the initial concept of an optical, thermal and technological machine where every part belongs to a higher system. A human, handcrafted dimension is also taken into account, as the beauty of imperfection is discovered through a reinterpretation of blown glass. The name 'Incalmo' refers to a glass-blowing technique refined in Murano, Venice during the 16th century, aimed at obtaining multiple areas of different colours on the same surface.

Incalmo boasts stripes of transparent white blown glass which transform its decorative body into a screening element reaching the areas below its narrower angles and diffusing light into the space. Incalmo is a metaphor for combining the evolving LED technological innovation with ancient craftsmanship skills deeply rooted in our history. The aim of this all-around project is to enhance optical performance while improving the perceived aesthetics of its presence in the environment.

PRODUCT SPECIFICATION

Light Source:	21W, 3000K, 3200 Lumens
IP Code:	20
Dimming:	Push to make/switch dimming, dimmable using push to make switches. Please consult your electrician, additional wiring may be required.
Dimensions:	Ø24cm Shade Height: 32cm Maximum Drop: 200cm





For all sales and technical enquiries, please contact:

+44 (0)114 263 4266

info@davidvillagelighting.co.uk

www.davidvillagelighting.co.uk