



Buster + Punch Caged Wet Ceiling Light

LA10826/C

SOURCE: <https://www.davidvillagelighting.co.uk/product/Buster-Punch-Caged-Wet-Ceiling-Light/10001226>

PRODUCT DESCRIPTION

Designer: Massimo Minale

The Buster + Punch Caged Wet Ceiling Light

The Buster + Punch Caged Wet Ceiling Light features a matt black metal box-shaped frame, which is a common feature in the Caged collection, but also boasts a glass casing which protects the bulb from any moisture, providing an IP44 rating and allows for use in bathrooms, poolside areas, spas and outside spaces. The slender profile of the light also means it can be displayed in hallways too.

The back panel of the Buster + Punch Wet Ceiling Light comes in three metallic colours granting you the choice between brass, steel or gunmetal, and utilises the Buster + Punch signature coin screws for detail. This minimalistic light features the brand's signature diamond cut knurling on the lamp holder, to fit its designer LED Puck Bulb which is also provided. The Buster + Punch Caged Wet Ceiling Light is designed to not only add a touch of sleek industrialism when utilised individually but also to make a statement when displayed in clusters.



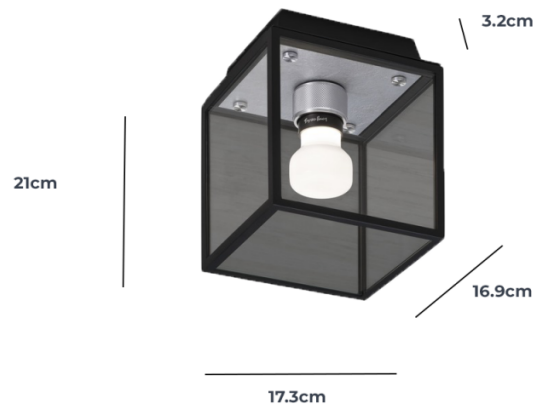
PRODUCT SPECIFICATION

Light Source: 1 x 5W LED E27 2700K 450 lumens (included)

IP Code: 44

Dimming: Dimmable via mains phase dimming.

Dimensions: Height: 21cm
Depth: 16.9cm
Width: 17.3cm
Ceiling Mounting: 3.2cm





For all sales and technical enquiries, please contact:

+44 (0)114 263 4266

info@davidvillagelighting.co.uk

www.davidvillagelighting.co.uk