

**louis poulsen**

# Louis Poulsen VL 56 Pendant Light

LA10830

SOURCE: <https://www.davidvillagelighting.co.uk/product/Louis-Poulsen-VL-56-Pendant-Light/10001225>



## PRODUCT DESCRIPTION

**Designer:** Vilhelm Lauritzen

### The Louis Poulsen VL 56 Pendant

The Louis Poulsen VL 56 Pendant was designed by Vilhelm Lauritzen for Folkets Hus in Copenhagen. This whole building was completely worked by Lauritzen. He designed everything from doorknobs, to staircases, furniture, and lamps. The VL 56 Pendant is still located above the bar, in the building which is now a concert venue called Vega.

The Louis Poulsen VL 56 Pendants provide extraordinary downward-directed light, and the radial perforation pattern softens the contrast between light and darkness while casting a beautiful spot pattern onto the surrounding areas. This beautiful pendant is available in two colours. The brass shades are left untreated and therefore will change over time and develop a patina. This beautiful pendant is part of a whole collection of [VL Lights](#).

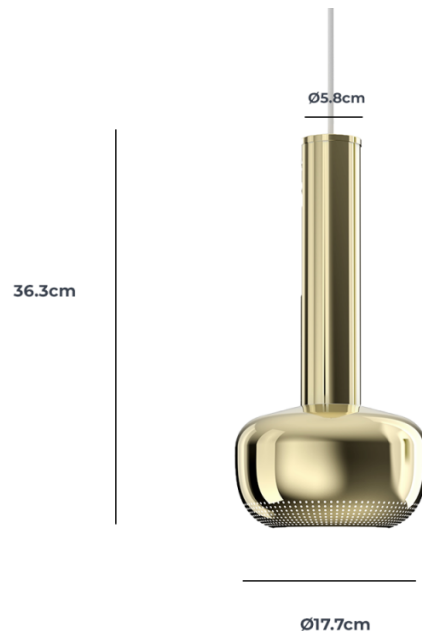
## PRODUCT SPECIFICATION

**Light Source:** 1 x Max 8.5W E27 LED (Excluded)

**IP Code:** 20

**Dimming:** Dimmable via mains phase dimming.

**Dimensions:** Height: 36.3cm  
 Lower Diameter: Ø17.7cm  
 Top Diameter: Ø5.8cm  
 Cable Length:



**For all sales and technical enquiries, please contact:**

+44 (0)114 263 4266

info@davidvillagelighting.co.uk

www.davidvillagelighting.co.uk