

FLOS

## Flos Skynest Motion LED Suspension

LA10671/M

SOURCE: <https://www.davidvillagelighting.co.uk/product/Flos-Skynest-Motion-LED-Suspension/10001110>

### PRODUCT DESCRIPTION

**Designer:** Marcel Wanders

### Flos Skynest Motion LED Suspension

Designed by Marcel Wanders, the Skynest Motion LED Suspension offers soft diffused lighting which is emitted through interwoven LED strips. These strips are threaded through the dome shade, which is crafted from recycled and recyclable fabric produced from polyester. The Flos Skynest Motion LED Suspension is fitted with a built-in balancing system at the top of the shade which assists in keeping the lighting solution stable. The bottom of the shade is then completed by an aluminium ring that keeps the entire structure in place.

Although the Skynest Motion is attached to your ceiling it also combines the qualities of a floor lamp, this lighting solution must be plugged in meaning it should be installed near an outlet. Skynest Motion also provides an in-line dimmer on the cable, which can be pressed once to turn the lamp on/off or can be held down to adjust the light intensity. This allows you to easily personalise the ambience of your room. Along with an innovative approach to lighting, the Flos Skynest Motion also harbours a unique and colourful design. Available in four different finishes; brick red, almond, blue tourmaline and anthracite, this light can adapt to a wide range of interiors and can easily blend into almost any room in your home. Although it appears exceptionally striking in living rooms and dining areas, it can also be a gorgeous lighting solution for environments in the commercial sector.

The Skynest Motion is assembled with absolutely no glue, meaning it can be fully separated to be recycled at the end of its life, and it allows for easy repairs or replacements.



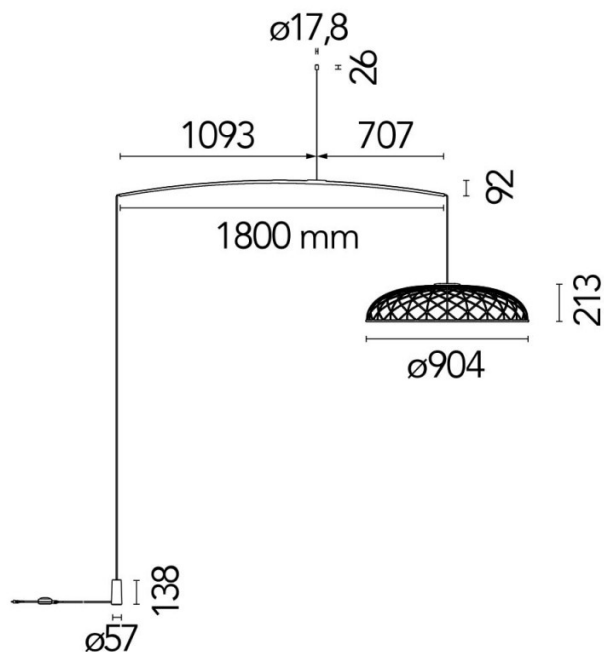
## PRODUCT SPECIFICATION

**Light Source:** 57W, 2700K, 1515 Lumens

**IP Code:** 20

**Dimming:** In line dimmer included on cable.

**Dimensions:** Shade: Ø90cm  
Shade Height: 21cm  
Suspension Height: 50cm  
Base Height: 250cm  
Height: 300cm  
Depth: 180cm  
Cable Length: 600cm



**For all sales and technical enquiries, please contact:**

+44 (0)114 263 4266

[info@davidvillagelighting.co.uk](mailto:info@davidvillagelighting.co.uk)

[www.davidvillagelighting.co.uk](http://www.davidvillagelighting.co.uk)