

kdl*n*

KDLN Motus LED Suspension

LA10787

SOURCE: <https://www.davidvillagelighting.co.uk/product/KDLN-Motus-LED-Suspension/10001033>



PRODUCT DESCRIPTION

Designer: Studio Shulab

KDLN Motus LED Suspension Light

Designed by Studio Shulab for KDLN, the Motus LED Suspension is an easily adaptable lighting solution. It offers complete freedom to the user, boasting an adjustable opal glass diffuser, which can be manoeuvred to varying heights by sliding it along the power cord. A single interaction, a simple movement - the light source can support itself anywhere along the cable thanks to its own weight. The glass diffuser provides a calm and ambient light, which is evenly diffused across the room.

The KDLN Motus LED Suspension light is available in three finishes and can blend into a range of interiors, perfect for large homes and commercial spaces. The Motus LED Suspension looks beautiful in living areas, kitchens and even entryways in your home; and can make a statement individually or as a cluster. In commercial environments, this suspension light offers a soft ambience for spaces in the hospitality or retail sector; specifically in cafes, restaurants, hotel rooms, above shop counters and in libraries.

Please Note: The Motus in Black and Red includes a black cable, whereas the White includes a white cable.

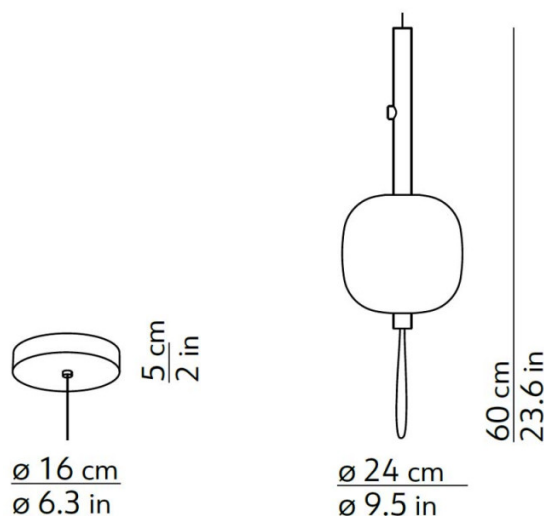
PRODUCT SPECIFICATION

Light Source: 22W, 2700K, 2420 Lumens

IP Code: 20

Dimming: Dimmable via mains phase dimming.

Dimensions: ø24cm
Height: 60cm
Drop Height: 350cm





For all sales and technical enquiries, please contact:

+44 (0)114 263 4266

info@davidvillagelighting.co.uk

www.davidvillagelighting.co.uk