

**marset**

# Marset Plaff-On! LED Outdoor Wall Light

LA10784

SOURCE: <https://www.davidvillagelighting.co.uk/product/Marset-Plaff-On-LED-Outdoor-Wall-Light/10001021>



## PRODUCT DESCRIPTION

Designer: Joan Gaspar

### Marset Plaff-On! LED Outdoor Wall Light

Designed by Joan Gaspar for Marset, the Plaff-On! LED Outdoor Wall Light changes the collections approach to lighting. The light source is 16 cm in diameter, with a perpendicular orientation. Unlike other lights in the collection, this outdoor wall light harnesses a stable body that attaches onto the wall. The Plaff-on! outdoor offers all the same features and benefits as the indoor version, including the sleek and minimalistic design, but with an IP65 rating it can be utilised for not only exterior environments but also in bathrooms.

This lamp can be displayed individually for areas that need less luminosity or grouped together for larger spaces. With the light cast mainly downwards, the Marset Plaff-On Wall Light is perfect for illuminating your path, porch, patio or outdoor seating areas; while a luminous halo of light flows smoothly upward as well, granting you even more of an illumination. As in the indoor versions, the white blown glass diffuser seems to float, sitting slightly apart from the aluminium structure.

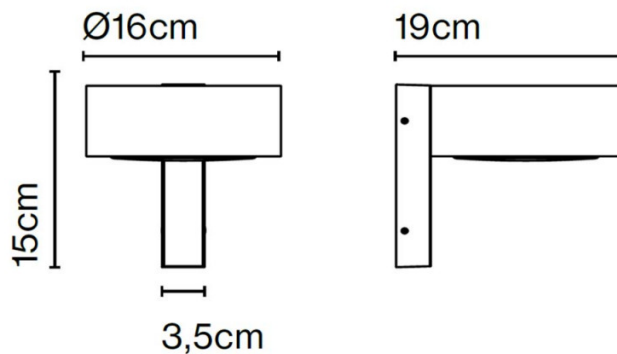
## PRODUCT SPECIFICATION

**Light Source:** 8W, 2700K, 571 Lumens

**IP Code:** 65

**Dimming:** Dimmable via Triac dimming.

**Dimensions:** Ø16cm  
Height: 15cm  
Depth: 19cm  
Base Width: 3.5cm





**For all sales and technical enquiries, please contact:**

+44 (0)114 263 4266

[info@davidvillagelighting.co.uk](mailto:info@davidvillagelighting.co.uk)

[www.davidvillagelighting.co.uk](http://www.davidvillagelighting.co.uk)