



# Artemide Vine LED Table Lamp

LA10782

SOURCE: <https://www.davidvillagelighting.co.uk/product/Artemide-Vine-LED-Table-Lamp/10001014>

## PRODUCT DESCRIPTION

Designer: BIG

### Artemide Vine LED Table Lamp

We currently have limited stock of this item in our [Clearance section](#).

The Artemide Vine LED Table Lamp allows users to define their own light, through the adjustability of the body. It consists of only two joints, resulting in the minimalistic presence creating a perfect balance among different materials, weights, precision of movement and functionality. Vine Table Lamp is a beautiful example of how Artemide has leant into contemporary advancements, the technological complexity is perfectly encapsulated in a simple form.

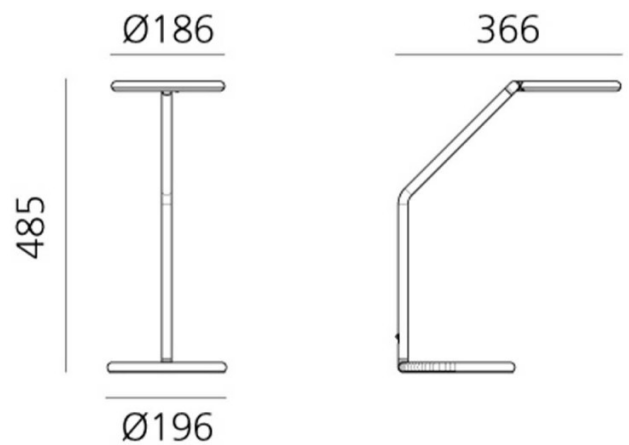
The uninterrupted line created by Vine plays the role of base, stem, and diffuser. Measuring just 16mm in diameter, the jointed black tube houses all of the electronic and mechanical elements without taking up a vast amount of space on your surface.

The Artemide Vine Table Lamp is also available with a fixed base. [Contact Us](#) for more information and pricing.



## PRODUCT SPECIFICATION

- Light Source:** 8W, 3000K, 700 Lumens
- IP Code:** 20
- Dimming:** Integrated dimmer on the product.
- Dimensions:** Head: Ø18.6cm  
Height: 48.5cm  
Depth: 36.6cm  
Base: Ø19.2cm





**For all sales and technical enquiries, please contact:**

+44 (0)114 263 4266

[info@davidvillagelighting.co.uk](mailto:info@davidvillagelighting.co.uk)

[www.davidvillagelighting.co.uk](http://www.davidvillagelighting.co.uk)