



Artemide Vector LED Track 230V

LA10779

SOURCE: <https://www.davidvillagelighting.co.uk/product/Artemide-Vector-LED-Track-230V/10001011>



PRODUCT DESCRIPTION

Designer: Carlotta de Bevilacqua

Artemide Vector LED Track System

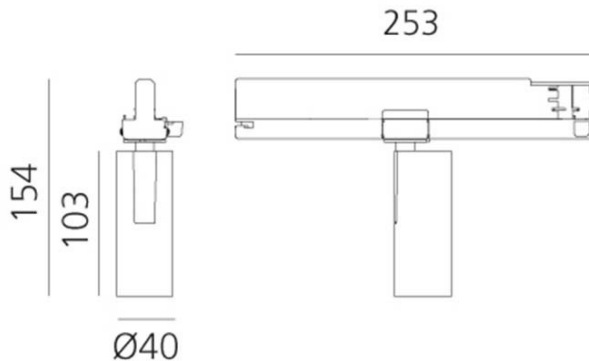
Artemide Vector Track is a LED track-Light system, allowing 360° rotation and 90° tilting. Vector Track is well balanced, with the centre of balance perfectly aligned with the track, this ensures optimal directional light for your space. This lighting system is a perfect example of how to personalise your space, whether residential or commercial Artemide Vector has the perfect composition for you.

Not only can the light sources be moved and adjusted on the track, this system also offers varying colour temperatures (varying from very warm to white light) and a range of add on accessories. The Vector can hold up to three accessories; these accessories include soft filters, adjustable dowsers and a lens for elliptical emission. Artemide Vector Track is also available in a wide range of finishes, also allowing you to mix and match the colour of your light source and your base.

The Artemide Vector Track is a 3 phase mixed system with two additional conductors intended to manage a general data signal.? The system is EN 60570 certified and its installation must be accomplished by highly qualified person.?

PRODUCT SPECIFICATION

- Light Source:** 10W, 3000K, 529 Lumens
- IP Code:** 20
- Dimming:** Dimmable via Dali dimming systems. Please consult your electrician, additional wiring may be required on site.
- Dimensions:** Ø4cm
Height: 15.4cm
Base Length: 25.3cm





For all sales and technical enquiries, please contact:

+44 (0)114 263 4266

info@davidvillagelighting.co.uk

www.davidvillagelighting.co.uk