

# Bover Nans Balis Outdoor LED Suspension

LA10595/BALIS

SOURCE: <https://www.davidvillagelighting.co.uk/product/Bover-Nans-Balis-Outdoor-LED-Suspension/10000957>

## PRODUCT DESCRIPTION

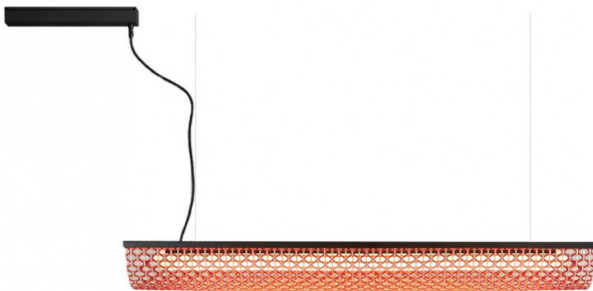
**Designer:** Joana Bover

### Bover Nans Balis S/140 Outdoor LED Suspension

The Bover Nans Balis S/140 Outdoor LED Suspension is a linear luminaire, consisting of a hand woven shade that is crafted from a recyclable synthetic fibre. This shade encloses an LED light source which emits a soft and warm light, the light source is protected from the weather by a polyethylene diffuser.

The Nans Balis boasts a bohemian style, with modern touches, providing you with the best of both worlds. The design was inspired by Cala Nans, a peaceful Mediterranean bay on the Costa Brava coast, where it is so calm all you can hear is the sound of the birds in the sky and the waves crashing. This outdoor lighting solution is ideal for above outdoor dining areas, in both residential and commercial spaces.

Also available with a brown or beige shade. All colours come with a graphite brown structure.



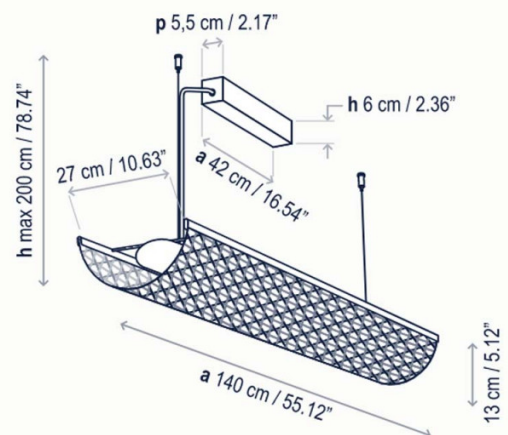
## PRODUCT SPECIFICATION

**Light Source:** 44W, 2400K, 4400 Lumens

**IP Code:** 54

**Dimming:** Dimmable via Triac dimming.

**Dimensions:** Length: 140cm  
Shade Height: 13cm  
Maximum Drop Height: 200cm





**For all sales and technical enquiries, please contact:**

+44 (0)114 263 4266

[info@davidvillagelighting.co.uk](mailto:info@davidvillagelighting.co.uk)

[www.davidvillagelighting.co.uk](http://www.davidvillagelighting.co.uk)