

# DCW éditions NL12 LED Suspension

LA10744

SOURCE: <https://www.davidvillagelighting.co.uk/product/DCW-editions-NL12-LED-Suspension/10000938>

## PRODUCT DESCRIPTION

**Designer:** Sebastian Summa

### DCW éditions NL12 LED Suspension

Combining sophistication and brutalism, [DCW éditions](#) and Sebastian Summa collaborate to create the impressive NL12 Suspension Lamp. The light is inspired by post-industrial athleticism as it mirrors a gymnastic clamp style in its suspended structure.

Described as a 'Celestial Beam', the NL12 pendant boasts cleverly integrated LEDs and hidden wires. The central tube functions as the main light source while accompanying outer tubes, composed of borosilicate glass, illuminate the ample space softly. The diffused, warm light is ideal for the home's dining area with its larger size creating a beautiful feature. The tubes can be adapted to the space by sliding them through the brackets and positioning them securely to your liking. The horizontal design by DCW éditions makes a sleek addition to a workplace. With an impressive 4800 lumens, the NL12 refracts the bright LED light in a calm manner.

**The DCW edition NL12 LED Suspension features cover tubes that conceal the electrical suspension cables. This suspension is height adjustable upon installation but may require multiple cover tubes to hide wires.**

**2 x 3 suspension rods are included - to calibrate the height of the product. See spec image for more details.**



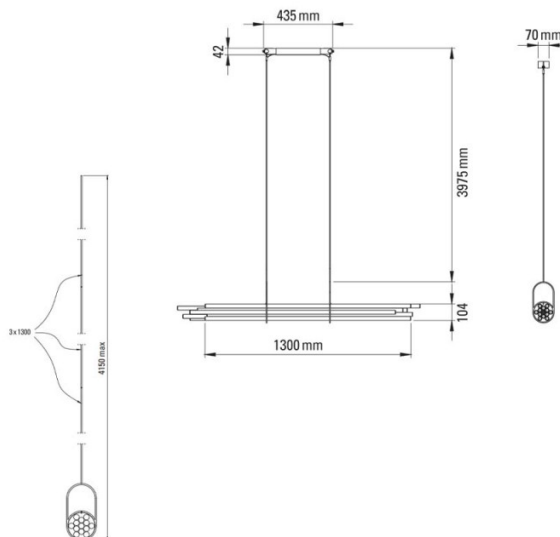
## PRODUCT SPECIFICATION

**Light Source:** 48W, 2700K, 4800 Lumens

**IP Code:** 20

**Dimming:** Non-dimmable.

**Dimensions:** Width: 130cm  
Height: 10.4cm  
Maximum Drop Height: 397.5cm  
Ceiling Canopy Width: 43.5cm  
Ceiling Canopy Depth: 4.2cm



**For all sales and technical enquiries, please contact:**

+44 (0)114 263 4266

[info@davidvillagelighting.co.uk](mailto:info@davidvillagelighting.co.uk)

[www.davidvillagelighting.co.uk](http://www.davidvillagelighting.co.uk)