



Design For The People Angle E27 Pendant

LA10737

SOURCE: <https://www.davidvillagelighting.co.uk/product/Design-For-The-People-Angle-E27-Pendant/10000896>



PRODUCT DESCRIPTION

Designer: Maria Berntsen

Design For The People Angle E27 Pendant

Designed by Maria Bernesten for Design For The People, the Angle E27 Pendant is an innovative addition to the lighting world. The real selling point of this pendant is the fact you are able to personalise the direction of your light via a magnetised chord. The minimalistic shade is easy to manoeuvre in order to personalise your environment and illuminate the areas of your room that require it most.

Angle E27 is a contemporary design with an industrial edge to it. The light output creates a beautiful expression of light and can be used as both overall lighting or as a task light, depending on how you decide to display the shade. This lamp looks perfect when hung individually, but also creates an exquisite feature in your space when grouped together and suspended at different heights - especially when all of the pendants are angled at different directions.

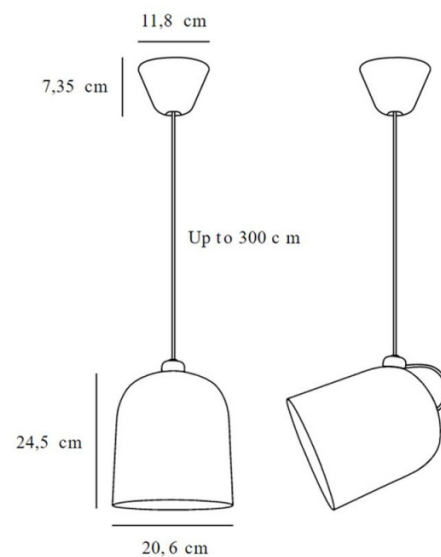
PRODUCT SPECIFICATION

Light Source: 1 x Max 60W E27 (excluded)

IP Code: 20

Dimming: Dimmable via mains phase dimming.

Dimensions: Shade: Ø20.6cm
Shade Height: 31.5cm
Ceiling Canopy: Ø11.8cm
Ceiling Canopy Height: 7.35cm
Maximum Drop 300cm





For all sales and technical enquiries, please contact:

+44 (0)114 263 4266

info@davidvillagelighting.co.uk

www.davidvillagelighting.co.uk