



Design For The People Navone Pendant

LA10736

SOURCE: <https://www.davidvillagelighting.co.uk/product/Design-For-The-People-Navone-Pendant/10000894>

PRODUCT DESCRIPTION

Designer: Sofie Lefevre

Design For The People Navone Pendant

Designed by Sofie Lefevre, the Navone Pendant was inspired by the glass art of the island of Murano in Italy and is available in three sizes. This pendant boasts a minimalistic but powerful round shade diffuser, with brass detailing which adds a contemporary touch to an otherwise Danish design. The Navone pendant light will quickly win a place in your heart. The shape of the suspension acts as an extension of the shape of the glass and creates a harmonious play of light.

The shade allows a soft but sufficient amount of light into the room, providing an ambient setting in whichever space you decide to display it in. The Navone is a beautiful lighting solution with a unique shape and elegant details that are guaranteed to make a statement no matter what your interior style.

Navone Pendant by Design For The People looks exceptionally striking when suspended above a dining table, coffee table or in your kitchen. It can be hung individually or grouped together to form a cluster of light that is sure to become a conversation starter.



PRODUCT SPECIFICATION

Light Source: **Navone 20 & 30:** 1 x Max 40W E27 (excluded)
Navone 40: 1 x Max 60W E27 (excluded)

IP Code: 20

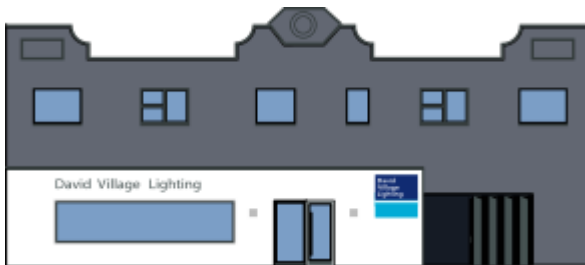
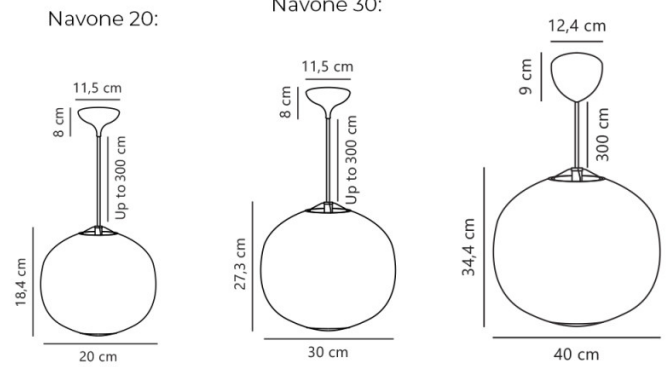
Dimming: Dimmable via mains phase dimming.

Dimensions: **Navone 20:**
Shade: Ø20cm
Shade Height: 17cm
Ceiling Canopy: 11.5cm
Ceiling Canopy Height: 8cm

Navone 30:
Shade: Ø30cm
Shade Height: 25.5cm
Ceiling Canopy: 11.5cm
Ceiling Canopy Height: 8cm

Navone 40:
Shade: Ø40cm
Shade Height: 34.4cm
Ceiling Canopy: 12.4cm
Ceiling Canopy Height: 9cm

Maximum Drop: 300cm



For all sales and technical enquiries, please contact:

+44 (0)114 263 4266

info@davidvillagelighting.co.uk

www.davidvillagelighting.co.uk