



# Design For The People Align Table Lamp

LA10727

SOURCE: <https://www.davidvillagelighting.co.uk/product/Design-For-The-People-Align-Table-Lamp/10000870>



## PRODUCT DESCRIPTION

**Designer:** Maria Berntsen

### Design For The People Align Table Lamp

Align is a collection of contemporary table lamps, designed by Maria Berntsen. They are designed to encourage interaction from their user, the inner shade is fixed whilst the outer shade works as a visor and can be manoeuvred to adjust the light diffusion. The shade is made entirely of metal, reflecting the light exclusively downwards and providing beautiful atmospheric lighting. This increases the light output and at the same time forms the main focus of the table lamp Align. The adjustable visor also ensures you can easily personalise the ambience of your room.

When it comes to placement, the Align Table Lamp ticks almost all boxes. It can be a great functional but glare free option for your desk, a cosy reading light in your living room, an atmospheric mood light in the bedroom or even a statement piece in your hallway. The matt surface comes in a range of muted colours with brushed brass details, guaranteed to be embraced in a wide range of décor styles.

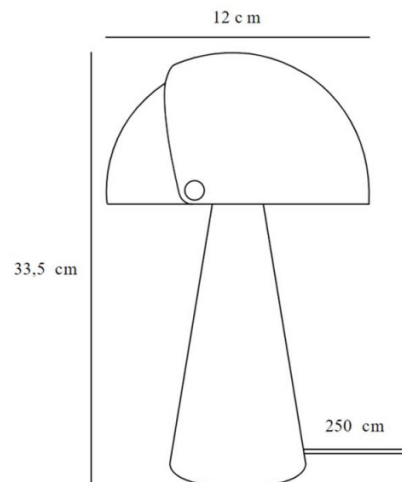
## PRODUCT SPECIFICATION

**Light Source:** 1 x Max 25W E27 (excluded)

**IP Code:** 20

**Dimming:** In line on/off switch included on cable.

**Dimensions:** Shade: Ø22cm  
Shade Height: 12cm  
Height: 33.5cm  
Base: Ø10.8cm  
Cable Length: 250cm





**For all sales and technical enquiries, please contact:**

+44 (0)114 263 4266

[info@davidvillagelighting.co.uk](mailto:info@davidvillagelighting.co.uk)

[www.davidvillagelighting.co.uk](http://www.davidvillagelighting.co.uk)