

VIBIA

Vibia Dots LED Wall Light

LA10708

SOURCE: <https://www.davidvillagelighting.co.uk/product/Vibia-Dots-LED-Wall-Light/10000813>

PRODUCT DESCRIPTION

Designer: Martín Azúa

Vibia Dots Wall Light

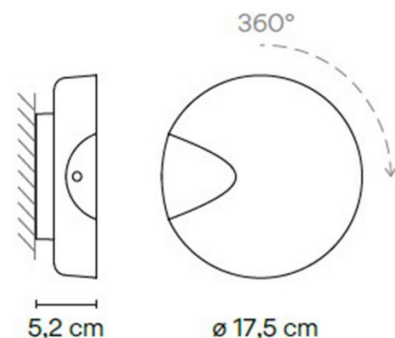
The Dots Wall Light by designer Martín Azúa is an exploration of different lighting effects, characterised by small circular shapes casting light across a wall. Described as a 'glowing galaxy', Vibias dots are playful and allow exploration and fun. This lamp offers a recess on top and produces a soft light cone. The Dots Wall Light provides a focused beam that is great for illuminating something in a particular space - it is outstandingly well-suited for providing unconventional reading light on the bedside table.

This wall light also has 360-degree turn functionality so you're able to direct the light any way you like and an on/off switch on the back. The Dots can be installed individually, or in grouped configurations to create a statement piece. Combining different Dots lamps creates an interesting artwork piece with different beams of light appearing from everywhere.



PRODUCT SPECIFICATION

Light Source:	5.75W, 2700K, 500 Lumens
IP Code:	20
Dimming:	Dimmable via 1-10V/Triac/DALI dimming systems. Please consult your electrician, additional wiring may be required on site.
Dimensions:	Ø17.5cm Depth: 5.2cm



For all sales and technical enquiries, please contact:

+44 (0)114 263 4266

info@davidvillagelighting.co.uk

www.davidvillagelighting.co.uk