

# NEMO

LA10669/S

## Nemo Lighting Titia LED Pendant Light

SOURCE: <https://www.davidvillagelighting.co.uk/product/Nemo-Lighting-Titia-LED-Pendant-Light/10000748>



### PRODUCT DESCRIPTION

Designer: Arihiro Miyake

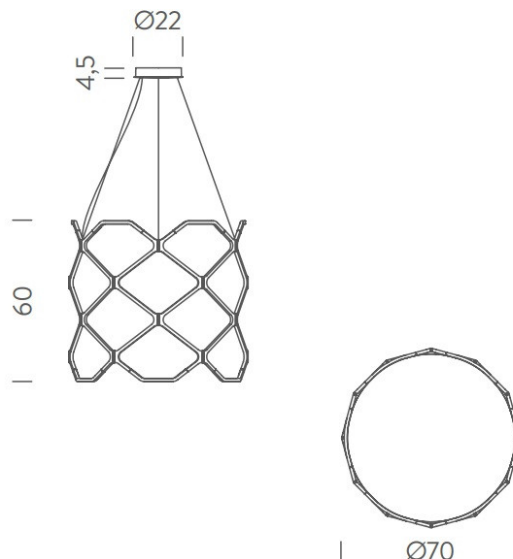
### Nemo Lighting Titia LED Pendant Light

The Titia pendant was designed by Japanese designer and creative, Arihiro Miyake. Her idea was to create a minimalist and simplistic design that would focus on the light source itself. The integrated LED modules are the true essence of this product and are showcased by the ingenious attention to detail by Miyake. The designer stated the design 'represents a jump to the future in the dematerialization and miniaturization of light sources, becoming part of the structure itself'.

This outlook on design has produced the Titia pendant that would add a modern aesthetic to your space. Place it in your hallway for an instant impact or place it in your dining or living area to perfectly brighten your home.

### PRODUCT SPECIFICATION

- Light Source:** 90W, 2700K, 3850 lumens
- IP Code:** 20
- Dimming:** Dimmable via 1-10v dimming systems. Please consult your electrician, additional wiring may be required on site.
- Dimensions:** Ø70cm  
60cm height  
Ø22cm ceiling rose  
4.5cm ceiling rose



For all sales and technical enquiries, please contact:

+44 (0)114 263 4266

info@davidvillagelighting.co.uk

www.davidvillagelighting.co.uk