



Warm Nordic Milieu Colour Mini Mini Pendant Light

LA10499/M

SOURCE: <https://www.davidvillagelighting.co.uk/product/Warm-Nordic-Milieu-Colour-Mini-Mini-Pendant-Light/10000734>



PRODUCT DESCRIPTION

Designer: Jo Hammerborg

MWarm Nordic Milieu Colour Mini Mini Pendant Light

The Warm Nordic Milieu Colour Pendant was first designed by Jo Hammerborg in 1975. Hammerborg was a Danish designer who found inspiration for these pendants from his love of flying and parachuting. Like a parachute, the pendant light floats elegantly in the air, unfolding beautifully with three concentric circles. Featuring smooth lines, the Mini Mini has a sleek silhouette that, despite the design's long history, fits seamlessly into contemporary interiors.

The Milieu Colour Mini Mini pendant is the smaller version of the [Milieu Colour Mini](#), and is available in four modern finishes: Pure Cashmere, Ultimate Grey, Tomato Cream, and Clear White. These pendants can be installed individually or as multiples from the collection, allowing for freedom to customise the display to suit your décor. The pendant lamp emits a downward-directed, glare-free glow, perfect for hanging over surfaces and tables.

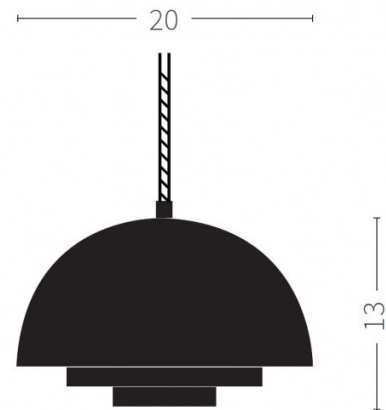
PRODUCT SPECIFICATION

Light Source: 1 x Max 40W E27 (excluded)

IP Code: 20

Dimming: Dimmable via mains phase dimming.

Dimensions: Ø20cm
Height: 13cm
Cable Length: 300cm





For all sales and technical enquiries, please contact:

+44 (0)114 263 4266

info@davidvillagelighting.co.uk

www.davidvillagelighting.co.uk