

# Northern Northern Tradition Pendant

LA10661

SOURCE: <https://www.davidvillagelighting.co.uk/product/Northern-Tradition-Pendant/10000721>



## PRODUCT DESCRIPTION

Designer: Morten & Jonas

### Tradition Pendant Light by Northern

Designed by Morten & Jonas, the Tradition pendant lamp takes an old idea and recreates it with a new approach, embodying the design duo's ethos of challenging the status quo and stubborn ideas about design production. The pendant light is made using very finely knitted polyester tube which is then delicately stretched over a metal structure. This material conceals the light bulb and creates a gorgeous soft diffusion that is reminiscent of the summer sun.

The Tradition pendant comes in three sizes, small, tall or large oval, with each one having a unique rounded shape. This sculptural quality makes the pendant a beautiful addition to any interior and will easily slip into any design scheme. The suspension also has an opening in the bottom so provides both an overall glow and a direct illumination that can be used above tables and surfaces.

## PRODUCT SPECIFICATION

**Light Source:** 1 x Max 13W E27 LED (excluded)

**IP Code:** 20

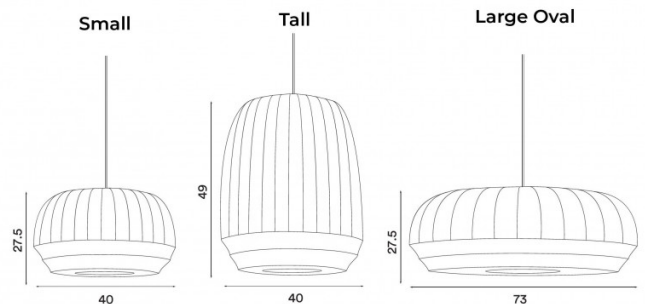
**Dimming:** Dimmable via mains phase dimming.

**Dimensions: Small**  
 Ø40cm  
 Height: 27.5cm

**Tall**  
 Ø40cm  
 Height: 49cm

**Large Oval**  
 Ø73cm  
 Height: 27.5cm

Ceiling Canopy: Ø15cm  
 Cable Length: 370cm





**For all sales and technical enquiries, please contact:**

+44 (0)114 263 4266

[info@davidvillagelighting.co.uk](mailto:info@davidvillagelighting.co.uk)

[www.davidvillagelighting.co.uk](http://www.davidvillagelighting.co.uk)