

HAY

HAY Anagram Table Lamp

LA10644

SOURCE: <https://www.davidvillagelighting.co.uk/product/HAY-Anagram-Table-Lamp/10000676>



PRODUCT DESCRIPTION

Designer: Sam Weller

HAY Anagram Table Lamp

The HAY Anagram was designed by British designer Sam Weller and was inspired by the idea of creating a nostalgic yet functional lamp. The curved and glossy shade sat on top of the two split anodised aluminium legs was created after Sam Weller saw the simple beauty of the Barbican in central London. By taking the curved architecture and modernist design, the Anagram echoes the sturdy industrial building whilst also adding a glossy luxury touch to your home.

Available in four modern bold colours, the Anagram is an iconic design inspired by an iconic London landmark. Place this table lamp on your desk space or as a quirky bedside table addition. With a retro on / off toggle switch, the Anagram has a nostalgic feel with a modern influence and aesthetic.

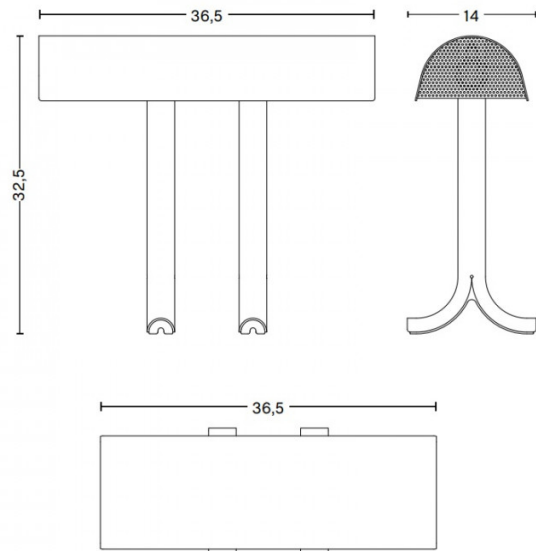
PRODUCT SPECIFICATION

Light Source: 2 x Max 8W E14 LED (excluded)

IP Code: 20

Dimming: Integrated on/off switch on the product.

Dimensions: Height: 32.5cm
Depth: 14cm
Width: 36.5cm
Cable Length: 200cm



For all sales and technical enquiries, please contact:

+44 (0)114 263 4266

info@davidvillagelighting.co.uk

www.davidvillagelighting.co.uk