

HAY

HAY Pao Steel Floor Lamp

LA10454/F

SOURCE: <https://www.davidvillagelighting.co.uk/product/HAY-Pao-Steel-Floor-Lamp/10000674>



PRODUCT DESCRIPTION

Designer: Naoto Fukasawa

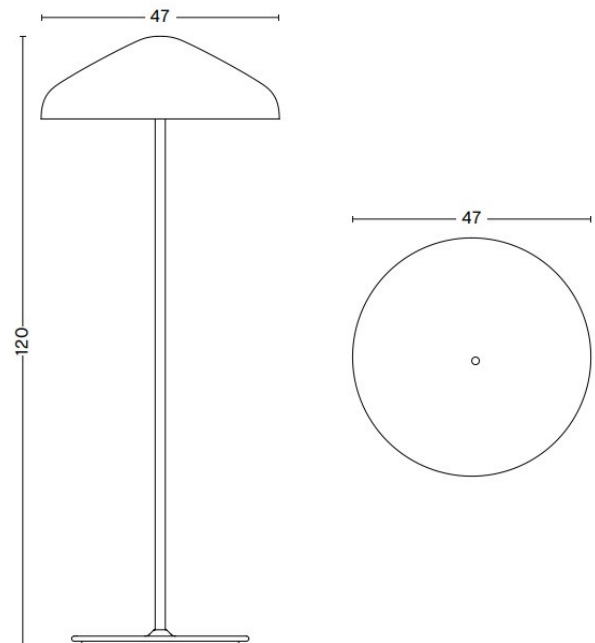
HAY Pao Steel Floor Lamp

The Pao Steel floor lamp was designed by Naoto Fukasawa a minimalist Japanese designer who designed the Pao collection after being inspired by the soft, glowing shape of traditional Mongolian Pao tents illuminated at night-time. Fukasawa aimed to replicate the warmth and friendliness of the tents through the simple shape of the shade and the beautifully diffused light that it emits.

The high gloss grey, white and black finishes add a minimal monochrome aesthetic to your space whilst the sturdy steel structure brings an industrial style. Ideal for homes and commercial spaces, this simple and modern design provides a glare-free indirect light that will bring a warming atmosphere to your space.

PRODUCT SPECIFICATION

- Light Source:** 2 x Max 13W E27 LED (Excluded)
- IP Code:** 20
- Dimming:** In-line on/off switch included on cable.
- Dimensions:** Height: 120cm
Shade: Ø47cm
Cable Length: 270cm



For all sales and technical enquiries, please contact:

+44 (0)114 263 4266

info@davidvillagelighting.co.uk

www.davidvillagelighting.co.uk