



Astep Model 537 Table Lamp

LA10641

SOURCE: <https://www.davidvillagelighting.co.uk/product/Astep-Model-537-Table-Lamp/10000665>

PRODUCT DESCRIPTION

Designer: Gino Sarfatti

Model 537 Table Lamp by Astep

Designed by Gino Sarfatti around 1950, the Model 537 table lamp was ahead of its time, constructed using top-quality materials and an interesting silhouette. The shade is made from aluminium and is supported by a slim brass stem which features a playful bend, creating an alluring aesthetic. The base is made from marble, giving the table lamp weight and the stem reaches through the lampshade, acting as a handle to make it easy to move.

The Model 537 table lamp produces a warm and atmospheric glow, perfect for creating cosy pockets of light in spaces. Useful on tables, desks and side tables, the table light can be used in offices, lounges, dining spaces and much more. The classic design and vintage feel of the lamp will add a touch of elegance in your interior whilst also providing a contemporary look thanks to Sarfatti's innovative approach.



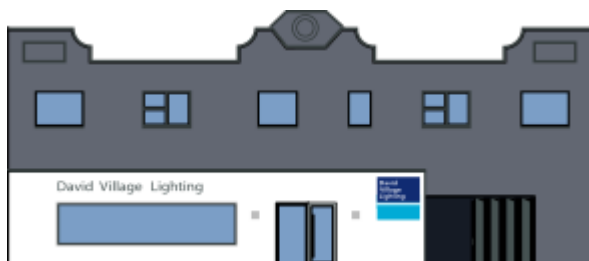
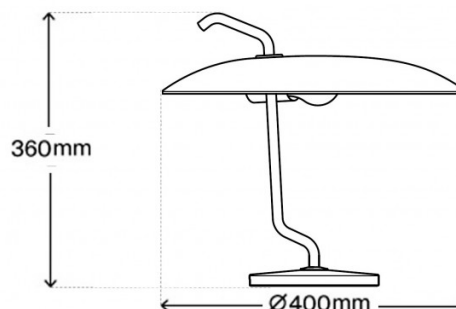
PRODUCT SPECIFICATION

Light Source: 1 x max 4.5W E27 LED (included)

IP Code: 20

Dimming: In line on/off switch included on cable

Dimensions: Ø40cm shade
36cm height
180cm cable length



For all sales and technical enquiries, please contact:

+44 (0)114 263 4266

info@davidvillagelighting.co.uk

www.davidvillagelighting.co.uk