

FLOS

Flos Almendra Linear LED
Pendant

LA10635/L

SOURCE: <https://www.davidvillagelighting.co.uk/product/Flos-Almendra-Linear-LED-Pendant/10000658>



PRODUCT DESCRIPTION

Designer: Patricia Urquiola

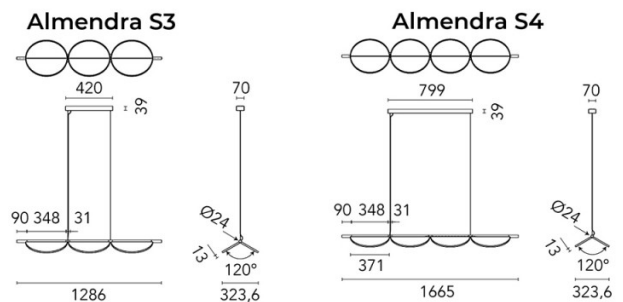
Flos Almendra Linear LED Pendant
Light

The Almendra Linear pendant is part of the [Flos Almendra collection](#), a stunning range designed by Patricia Urquiola. Inspired by the almond tree, this pendant light resembles the branches, leaves and almonds, creating a natural aesthetic in any interior. This look is paired with a natural colour palette, with the choice between a range of finishes.

The Almendra Linear pendant lamp comes in two sizes, the S3 which has three shades or the S4 which has four. These lampshades or "leaves" are also movable, creating a modular system that is unique to the user. Each leaf can be turned around 60° so you can decide where you want to direct the light and you can create multiple lighting scenarios with just one pendant. A beautiful and contemporary fixture, the Almendra Linear suspension can be used in a wide variety of settings as both a main light or for accent lighting.

PRODUCT SPECIFICATION

- Light** Almendra S3: 45W, 2700K, 1755 Lumens
- Source:** Almendra S4: 60W, 2700K, 2340 Lumens
- IP Code:** 20
- Dimming:** Dimmable via push/1-10v/Dali dimming systems. Please consult your electrician, additional wiring may be required on site.
- Dimensions:**
 - Almendra S3:**
 - Shade Length: 32.3cm
 - Full Length: 128.6cm
 - Almendra S4**
 - Shade Length: 32.3cm
 - Full Length: 166.5cm





For all sales and technical enquiries, please contact:

+44 (0)114 263 4266

info@davidvillagelighting.co.uk

www.davidvillagelighting.co.uk