

LYFA

LYFA Repose Table Lamp

LA10599/T

SOURCE: <https://www.davidvillagelighting.co.uk/product/LYFA-Repose-Table-Lamp/10000641>

PRODUCT DESCRIPTION

Designer: GamFratesi

Repose Table Lamp by LYFA

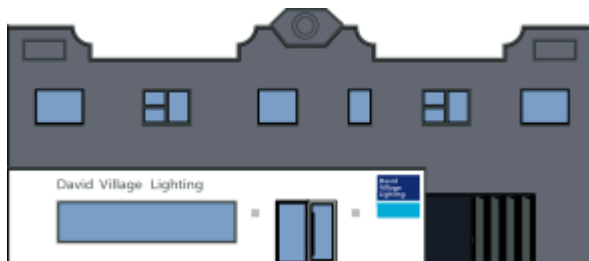
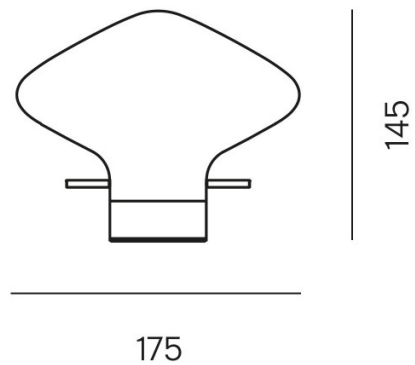
The Repose table lamp was designed by GamFratesi, a design studio founded by the Danish architect Stine Gam and Italian architect Enrico Fratesi. The duo bring their unique backgrounds and references to produce pieces that celebrate contrasts whilst renewing traditional design forms and ideas. This is seen in the Repose table light, an elegant fixture that benefits from an opal glass shade paired with a metal base.

The table lamp has an interesting silhouette, with an organic shaped lampshade that features a metal rod through the bottom. The contrast in shapes creates a modern look that is both graceful and refined. Available in a brass or black colour finish, the light bulb is concealed by the glass for a warm diffusion, perfect for creating a cosy atmosphere in many settings.



PRODUCT SPECIFICATION

- Light Source:** 1 x max 40W G9 (excluded)
- IP Code:** 20
- Dimming:** In line on/off switch included on cable
- Dimensions:** Ø17.5cm shade  
14.5cm height  
300cm cable length



For all sales and technical enquiries, please contact:

+44 (0)114 263 4266

info@davidvillagelighting.co.uk

www.davidvillagelighting.co.uk