



Design For The People Strap Wall Light

LA10616/W

SOURCE: <https://www.davidvillagelighting.co.uk/product/Design-For-The-People-Strap-Wall-Light/10000616>

PRODUCT DESCRIPTION

Designer: Bjørn + Balle

Design For The People Strap Wall Light

We currently have limited stock of this item in our [Clearance section](#).

The Strap wall lamp, designed by Bjørn + Balle, is a stylish and alluring light that embodies the very best of Nordic design. Featuring a straight-lined, conical shade, the wall light has an inviting design, drawing the eye in any interior. The lampshade then has a leather strap on the top, seemingly hanging the shade on the metal structure.

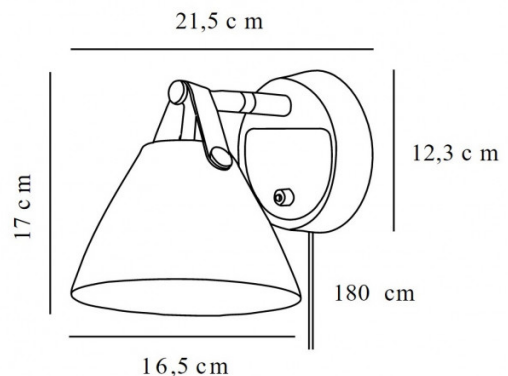
The Strap wall light is available in a white or black colour finish and comes with both a brown and black leather strap included in the purchase so you can decide what look you want in your space. The wall light emits a downward glow, as well as a slight ambient upward glow, being useful as accent lighting in many rooms and settings.

Please note, this wall light comes with both a cable and plug, with an on/off switch on the wall base, and hard-wired option, which makes the light dimmable, included in your purchase. If using the cable and plug, install near a socket and if hard-wiring, please consult your electrician.



PRODUCT SPECIFICATION

- Light Source:** 1 x Max 8W GU10 (excluded)
- IP Code:** 20
- Dimming:** **Hard-Wired:** Dimmable via mains phase dimming
Cable and Plug: Integrated on/off switch on the product
- Dimensions:** Shade: Ø16.5cm
Height: 17cm
Depth: 21.5cm
Wall Base: Ø12.3cm
Cable Length: 180cm





For all sales and technical enquiries, please contact:

+44 (0)114 263 4266

info@davidvillagelighting.co.uk

www.davidvillagelighting.co.uk