

CLEARANCE
OFFERS

Axolight Polia LED Wall Light Large Rust CLEARANCE

LA8785/CLEARANCE

SOURCE: <https://www.davidvillagelighting.co.uk/product/Axolight-Polia-LED-Wall-Light-Large-Rust-CLEARANCE/10000596>

PRODUCT DESCRIPTION

Designer: Manuel Vivian

Polia by Axolight

**BRAND NEW, OVERSTOCKED, ORIGINAL PACKAGING.
1 x Rust Brown Available.**

The Polia wall light was designed by Manuel Vivian for Italian lighting company, Axolight. Polia has a lightweight design, resembling the rustling of pages in the wind. Due to the craftsmanship needed to create the Polia, as well as the special finishing process, which is always done by hand, you should expect some subtle differences in the appearance and shades; making each Polia unique and never similar to another. The wall light is available in two sizes, small and large, while they both come in three colour options: textured white, white and basalt grey or rust brown. With an integrated LED source, the Polia is highly efficient and emits an indirect upwards light, with some rays escaping from the sides. A light perfect for any room in your home, as well as for commercial projects and in hospitality. The light promises to add personality and style into any interior.



PRODUCT SPECIFICATION

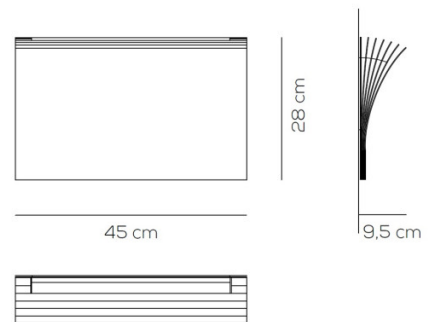
Light Source: 24W, 3000K, 1680 lumens

IP Code: 20

Dimming: Dimmable via mains phase dimming

Dimensions: 45 cm width
28 cm height
9.5 cm depth

POLIA G





For all sales and technical enquiries, please contact:

+44 (0)114 263 4266

info@davidvillagelighting.co.uk

www.davidvillagelighting.co.uk