

Artemide

Artemide El Poris Chandelier

LA10575

SOURCE: <https://www.davidvillagelighting.co.uk/product/Artemide-El-Poris-Chandelier/10000511>



PRODUCT DESCRIPTION

Designer: Herzog & De Meuron

Artemide El Poris Chandelier Light

The El Poris chandelier was first created in 2007 by Herzog & de Meuron as a temporary solution at a house construction on the coast of Tenerife. The chandelier was truly unique and became such a staple of the house that the owners kept it, being a one-of-a-kind light until 2020 when the designers brought it to Artemide. The El Poris is a contemporary structure that is sculptural and rigorous in look, made from a steel tubes.

The 12 light sources sit on the concentric steel circles, allowing the user freedom as they can choose which light bulbs to use on the body. The chandelier lamp has a dark finish for a raw and original aesthetic that will look stunning in any interior. The light bulbs create an effective illumination that also creates a sense of intimacy, casting shadows all around as the glow reflects off the metal.

PRODUCT SPECIFICATION

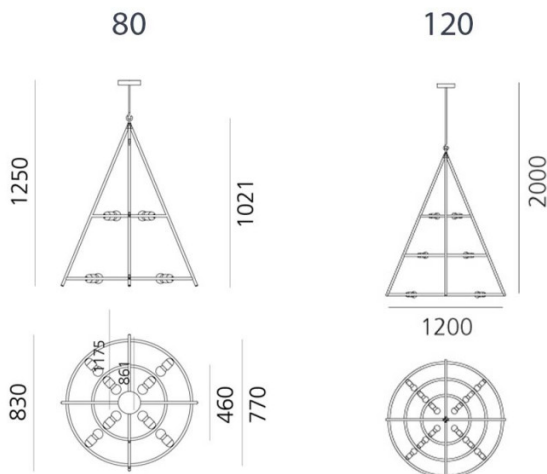
Light Source: 80: 8 x Max 15W E27 LED (excluded)
120: 12 x Max 15W E27 LED (excluded)

IP Code: 44

Dimming: Dimmable via mains phase dimming

Dimensions: 80
Ø120cm
Maximum Height: 200cm

120
Ø83cm
Maximum Height: 125cm



For all sales and technical enquiries, please contact:

+44 (0)114 263 4266

info@davidvillagelighting.co.uk

www.davidvillagelighting.co.uk