



Gubi Howard Wall Light

LA10560/W

SOURCE: <https://www.davidvillagelighting.co.uk/product/Gubi-Howard-Wall-Light/10000444>

PRODUCT DESCRIPTION

Designer: Space Copenhagen

Gubi Howard Wall Light

The Howard wall lamp by GUBI features an elongated spherical black brass shade that is inspired by the industrial art deco aesthetic of New York. The designers, Space Copenhagen, describe this lamp as being magical, especially then used in repetition. The durability and practicality of hotel lighting in New York were an inspiration behind the simplicity of this lamp.

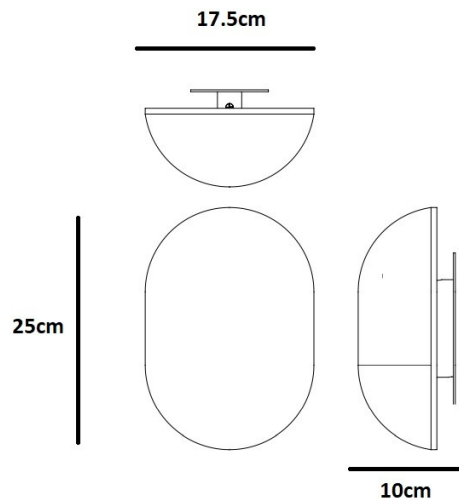
The Howard Wall Lamp works well as an ambient 'mood lamp' for the home where indirect light is required. When switched on, a warm glow appears from beneath the industrial shade and softens the edges of the brutalist design. The simple gunmetal finish allows this GUBI wall lamp to easily fit into any surrounding, from the residential to the commercial. Ideal for a hallway or living space emitting soft ambient lighting as well as being ideal for hotels and restaurants.

This wall light comes with a cable and plug which has to be plugged into a nearby socket, however, you can choose to hard-wire this lamp and it can be connected to a mains light switch by a qualified electrician.



PRODUCT SPECIFICATION

- Light Source:** 2 x max 4W E14 LED (excluded)
- IP Code:** 20
- Dimming:** In line on/off switch included on cable.
- Dimensions:** 25cm height
17.5cm width
10cm depth from wall





For all sales and technical enquiries, please contact:

+44 (0)114 263 4266

info@davidvillagelighting.co.uk

www.davidvillagelighting.co.uk