



Luceplan Malamata Pendant

LA10553

SOURCE: <https://www.davidvillagelighting.co.uk/product/Luceplan-Malamata-Pendant/10000422>



PRODUCT DESCRIPTION

Designer: Studio Shulab

Malamata Pendant Light by Luceplan

The Malamata pendant was designed by Studio Shulab, an acclaimed studio that was founded by Kfir Schwalb and Orit Magia. With both of them growing up in Isreal, the Malamata is named after the Hebrew meaning of 'up and down' which aptly describes the function of the light. The pendant lamp features a gorgeous glass shade which is counterweighted by a metal sphere which has a button on top. After pushing in the button, the user can move the sphere up and down the metal rod, pushing the lampshade up and down in a clever and minimalist way.

The Malamata pendant lamp comes in a matt black or brushed brass finish and in a small or large size. The pendant is a thoroughly contemporary piece and the up and down function allows for adjustability in your space. Use as a main light or over tables and surfaces for a beautiful diffused glow that is effective and warm.

PRODUCT SPECIFICATION

Light Source: **Small** - 1 x max 8W E14 LED (excluded)
Large - 1 x max 15W E27 LED (excluded)

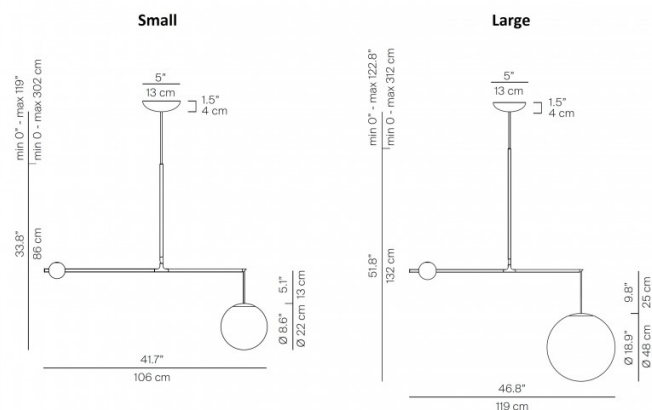
IP Code: 20

Dimming: Dimmable via mains phase dimming

Dimensions: Small:
Shade: Ø22cm
Shade Drop: 35cm
Height: 86cm
Length: 106cm
Max Cable Length: 302cm

Large:
Shade: Ø48cm
Shade Drop: 73cm
Height: 132cm
Length: 119cm
Max Cable Length: 312cm

Ø13cm ceiling canopy
4cm ceiling canopy height





For all sales and technical enquiries, please contact:

+44 (0)114 263 4266

info@davidvillagelighting.co.uk

www.davidvillagelighting.co.uk