

marset

Marset Zenc Pendant Light

LA10548

SOURCE: <https://www.davidvillagelighting.co.uk/product/Marset-Zenc-Pendant-Light/10000405>



PRODUCT DESCRIPTION

Designer: Joan Gaspar

Marset Zenc Pendant Light

Designed by Joan Gaspar, the Zenc pendant was inspired by an object that quite often goes unnoticed. On a visit to New York, Gaspar found himself looking upwards towards the very top of the skyscrapers. It was at this moment he caught a glimpse of the American-style water tanks that populate the highrise roofs of New York City. These industrial tanks have very key characteristics that Joan Gaspar uses in the design of the Zenc pendant.

The Ø44cm shade along with the 23cm height of the shade emulates the vastness and presence of the tanks. As well as imitating the general shape of the objects, Gaspar also mimics the tank's finer details. The rough outer edge replicates the old rusting metal exteriors of the tanks along with the visible joints and small details that make them so iconic.

Available in a selection of six finishes, which are grey, red, pale pink, sky blue, pale yellow, and white. This Marset pendant light will add a pop of colour to any interior. These industrial inspired Zenc pendant lights would be ideal for a hallway or reception room as well as a dining space or kitchen.

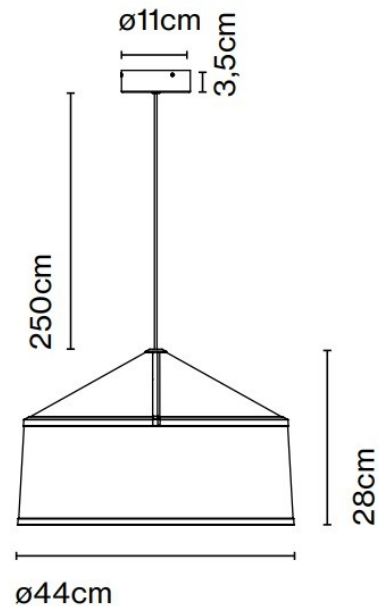
PRODUCT SPECIFICATION

Light Source: 1 x Max 12W E27 Globe (excluded)

IP Code: 20

Dimming: Dimmable via mains phase dimming.

Dimensions: Shade: Ø44cm
Height: 28cm
Drop: 250cm
Ceiling Canopy: Ø11cm





For all sales and technical enquiries, please contact:

+44 (0)114 263 4266

info@davidvillagelighting.co.uk

www.davidvillagelighting.co.uk