

NUURA

Nuura Miira Circular Chandelier

LA10471/C

SOURCE: <https://www.davidvillagelighting.co.uk/product/Nuura-Miira-Circular-Chandelier/10000401>



PRODUCT DESCRIPTION

Designer: Sofie Refer

Nuura Miira Circular Chandelier

A part of the [Nuura Miira collection](#) by Sofie Refer, the Miira Circular Chandelier takes the Miira design and applies it to a beautiful round metal structure that can be used in many settings. The chandelier has a classic and elegant look, holding gorgeous glass lampshades in a way that makes them appear to be floating gracefully in the air.

The Miira Circular Chandelier is available with either 6 or 8 lampshades and with a dark bronze, brass or rock grey metal body. The lampshades are also available with the choice between an optic clear or opal white finish, with the clear version offering a more modern look and the opal white offering a more vintage look.

Nuura Miira Circular comes with an easy to use adjustable wire cable system that can adjust between 20cm and 250cm so you can hang it high or low, making it extremely versatile. Use in homes, commercial spaces, offices and hospitality venues for a touch of refined Nordic style.

PRODUCT SPECIFICATION

Light Source: 6 x Max 7W G9 LED (excluded)
8 x Max 7W G9 LED (excluded)

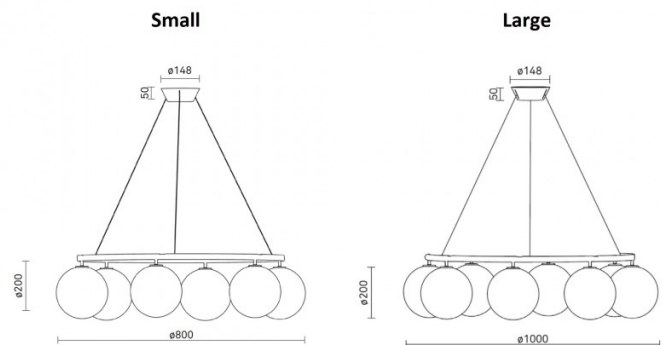
IP Code: 20

Dimming: Dimmable via mains phase dimming

Dimensions: **Miira 6 Circular**
Ø80cm
Height: 20cm

Miira 8 Circular
Ø100cm
Height: 20cm

Ceiling Canopy: Ø14.8cm
Ceiling Canopy Height: 5cm
Cable Length: 250cm





For all sales and technical enquiries, please contact:

+44 (0)114 263 4266

info@davidvillagelighting.co.uk

www.davidvillagelighting.co.uk