

LODES

Lodes IVY V LED Pendant

LA10547/V

SOURCE: <https://www.davidvillagelighting.co.uk/product/Lodes-IVY-V-LED-Pendant/10000395>

PRODUCT DESCRIPTION

Designer: Vittorio Massimo

IVY V LED Pendant Light by Lodes

The IVY V pendant was designed by Vittorio Massimo alongside the [IVY I pendant light](#) and features two cables (instead of one like the IVY I) that delicately hold a circular lampshade, creating a beautiful V shape. Massimo was inspired by how wedding rings look on necklaces and pendants, gracefully sitting on someone's neck to create a gorgeous aesthetic. The shade also displays a geometric aesthetic, creating a contemporary and modern light expression.

Available in matte black, terra or extra matte champagne, the IVY V pendant lamp emits an effective and long-lasting glow as the integrated LED light source sits in the bottom of the shade. You can also choose between a 2700K (warmest white) or 3000K (warm white) colour temperature and the IVY V comes with a black mini ceiling canopy as standard. Use in a wide variety of settings in rows, clusters or alone for a functional and stylish illumination.

The IVY V pendant light is also available to purchase with a recessed micro ceiling canopy or a 6/12 light central canopy so you can create personalised clusters and configurations (see images above). Please [contact us](#) for more info and prices.



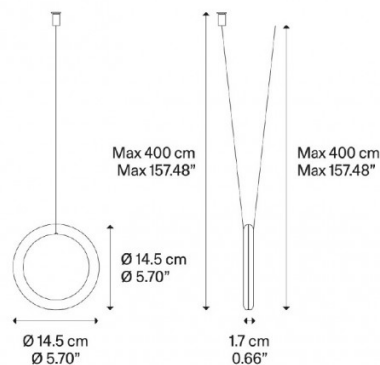
PRODUCT SPECIFICATION

**Light Source:** 3W, 2700K, 450 lumens  
or  
3W, 3000K, 480 lumens

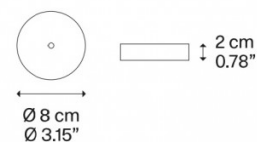
**IP Code:** 20

**Dimming:** Dimmable via Triac dimming

**Dimensions:** Ø14.5cm shade  
1.7cm shade depth  
400cm max. drop



Ceiling Canopy





**For all sales and technical enquiries, please contact:**

+44 (0)114 263 4266

[info@davidvillagelighting.co.uk](mailto:info@davidvillagelighting.co.uk)

[www.davidvillagelighting.co.uk](http://www.davidvillagelighting.co.uk)