

LODES

Lodes IVY I LED Pendant

LA10547

SOURCE: <https://www.davidvillagelighting.co.uk/product/Lodes-IVY-I-LED-Pendant/10000394>

PRODUCT DESCRIPTION

Designer: Vittorio Massimo

IVY I LED Pendant Light by Lodes

Designed by Vittorio Massimo, the IVY I pendant is a contemporary fixture, featuring a geometric aesthetic that is innovative and eye-catching. Inspired by wedding rings that hang delicately on necklaces, this version of the IVY pendant has a singular cable that loops around the circular shade, to gracefully suspend it in the air. The LED light source sits in the bottom, emitting an effective glow that can be utilised in many settings.

The IVY I pendant lamp is available in three shade colours, matte black, extra matte champagne or terra and can be paired with a matte black ceiling canopies. The pendant is also available with either a 2700K (warmest white) or 3000K (warm white) colour temperature. Use in homes, offices, hospitality or big projects, in multiple or alone for a stunning and modern lighting solution.

Also match with the [IVY V pendant light](#) which features two cables that hold the lampshade for a varied yet consistent look.

The IVY I pendant light comes with a mini ceiling canopy as standard to buy online. It is also available to purchase with a standard ceiling canopy, recessed canopy options, cluster canopy options (round and rectangular) and track canopies. Please [contact us](#) for more information and prices.



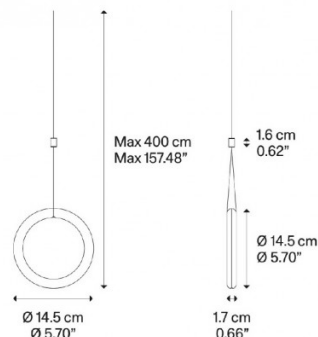
PRODUCT SPECIFICATION

Light Source: 3W, 2700K, 450 lumens
or
3W, 3000K, 480 lumens

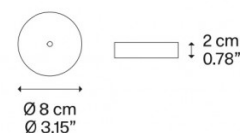
IP Code: 20

Dimming: Dimmable via Triac dimming

Dimensions: Ø14.5cm shade
1.7cm shade depth
400cm max. drop



Ceiling Canopy





For all sales and technical enquiries, please contact:

+44 (0)114 263 4266

info@davidvillagelighting.co.uk

www.davidvillagelighting.co.uk