

Pablo®

Pablo Solis Drum LED Pendant  
Light

LA10538

SOURCE: <https://www.davidvillagelighting.co.uk/product/Pablo-Solis-Drum-LED-Pendant-Light/10000361>



PRODUCT DESCRIPTION

Designer: Carmine Deganello

Pablo Solis Drum LED Pendant  
Light

The Solis Drum pendant was designed by Carmine Deganello who focuses on the empirical properties of materiality as the basis of all his designs. The Pablo Solis uses a polyester fabric shade that has been expertly and precisely cut into the optimum design. This shade beautifully creates delicate light and shadow through the fabric cutouts. The acrylic diffuser also adds to the gentle outpouring of light that radiates through the space. The stunning LED dome-like diffuser spans the entire diameter of the shade and elegantly softens the light being emitted.

Available in a silver and black finish, this Pablo pendant light will fit into any interior and add a striking, modern, designer touch. This LED lamp is also available in two sizes, the 24 and 36, both of which create a statement in any home, commercial, or hospitality space.

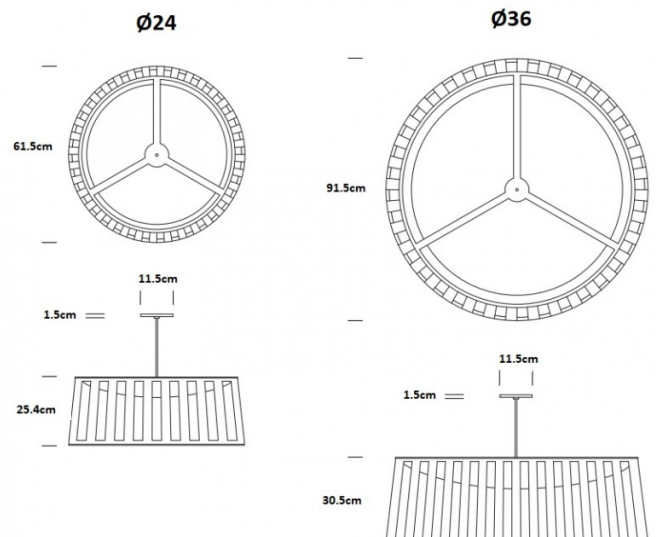
PRODUCT SPECIFICATION

Light Source: **Ø24:** 35W, 2700K, 2500 Lumens  
**Ø36:** 80W, 2700K, 5600 Lumens

IP Code: 20

Dimensions: **Ø24:**  
Shade: Ø61cm  
Shade Height: 25.4cm  
Maximum Drop: 305cm

**Ø36:**  
Shade: Ø91.5cm  
Shade Height: 30.5cm  
Maximum Drop: 305cm





**For all sales and technical enquiries, please contact:**

+44 (0)114 263 4266

[info@davidvillagelighting.co.uk](mailto:info@davidvillagelighting.co.uk)

[www.davidvillagelighting.co.uk](http://www.davidvillagelighting.co.uk)