

Pablo®

Pablo Belmont Pendant Light

LA10525/P

SOURCE: <https://www.davidvillagelighting.co.uk/product/Pablo-Belmont-Pendant-Light/10000345>



PRODUCT DESCRIPTION

Designer: Brad Ascalon

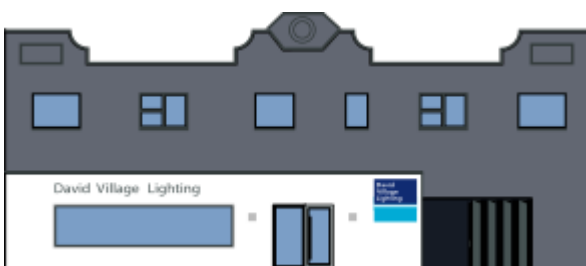
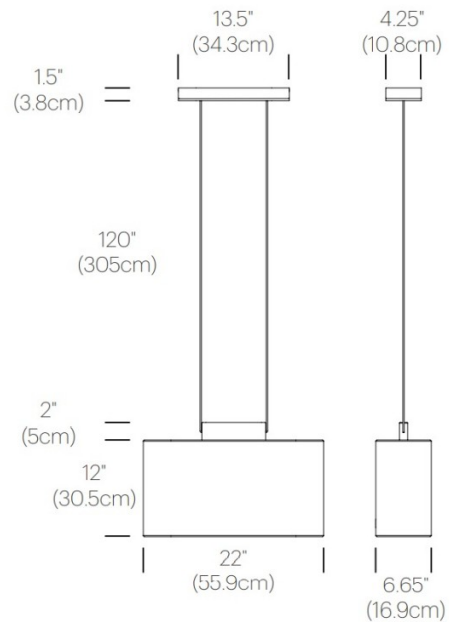
Pablo Belmont Pendant Light

The Belmont pendant light was designed in collaboration between Pablo and Brad Ascalon. They describe the design as 'Belmont's iconic, yet reductive form creates a natural canvas for displaying an exquisite array of textiles'. The combination of premium woolen blend and solid oak armature exaggerates the textures and tones of both the high-end materials. These pendant lights diffuse a direct and indirect glare-free light that beautifully lights up a room. When switched on, the light illuminates the natural textures and fibers of the fabric shade.

A perfect addition to any commercial or home space as its fabric exterior and soft oak detailing softens and calms any interior. These lights can be hung individually in a hallway or workspace but also look striking as a cluster. Available in two monochrome finishes, these stunning lights add a delicate touch to any space.

PRODUCT SPECIFICATION

- Light Source:** 2 x Max 72W BT-15 Halogen (included)
- IP Code:** 20
- Dimming:** Dimmable via mains phase dimming.
- Dimensions:** Shade Width: 55.9cm  
Shade Depth: 16.9cm  
Shade Height: 30.5cm  
Cable Length: 305cm



For all sales and technical enquiries, please contact:

+44 (0)114 263 4266

info@davidvillagelighting.co.uk

www.davidvillagelighting.co.uk