

HAY

HAY Nelson Pear Bubble
Pendant

LA10517

SOURCE: <https://www.davidvillagelighting.co.uk/product/HAY-Nelson-Pear-Bubble-Pendant/10000329>



PRODUCT DESCRIPTION

Designer: George Nelson

HAY Nelson Pear Bubble Pendant

The Bubble pendant collection was designed by George Nelson in 1947, and first produced in 1952. This American designer used his innovative thinking and creative problem solving to create the Pear Bubble pendant light. After seeing how inaccessible and unaffordable the orb-like silk-covered Swedish lights were at the time, Nelson took inspiration from the world around him to create an alternative. This alternative used a webbing polymer over a lightweight metal frame that Nelson discovered was used by the U.S. military.

The HAY Nelson Pear Bubble Pendant is available in small and medium-size and will add a touch of modern chic to any interior. The resourcefulness used by Nelson to create this inventive design is a characteristic that HAY prides itself on. George Nelson aimed to use his designs to 'better the world', and the Bubble collection has strived to achieve this.

PRODUCT SPECIFICATION

Light Source: **Small:** 1 x Max 8W E27 LED (excluded)
Medium: 1 x Max 13W E27 LED (excluded)

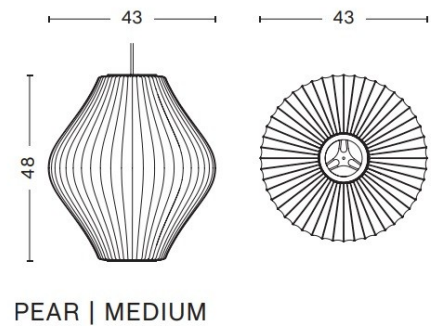
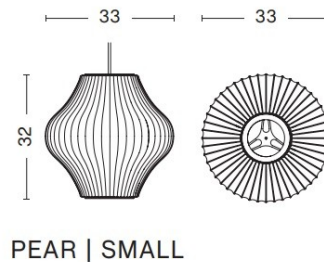
IP Code: 20

Dimming: Dimmable via mains phase dimming.

Dimensions: **Small:**
Ø33cm
Height: 32cm

Medium:
Ø43cm
Height: 48cm

300cm cable length





For all sales and technical enquiries, please contact:

+44 (0)114 263 4266

info@davidvillagelighting.co.uk

www.davidvillagelighting.co.uk