

**marset**

**Marset Ledtube A LED Wall Light**

LA9522/A

SOURCE: <https://www.davidvillagelighting.co.uk/product/Marset-Ledtube-A-LED-Wall-Light/10000317>

**PRODUCT DESCRIPTION**

Designer: Daniel López

**Marset Ledtube A LED Wall Light**

The Ledtube A was designed by Daniel López and is described as 'one of the most functional designs within the collection'. This LED wall light by Marset is easily directed and focused, perfect for reading or as a task light. The LED light source has been described as 'a beam that has the clear purpose of illuminating without disturbing'. The glare-free design and the ease with which the light can be directed allow the light to be functional without fault.

The integrated on/off switch located in the wall mount creates an easy and effortless way to adjust the light. The discreet switch located at the top of the mount does not detract from the simplistic design and minimalist aesthetic. Available in four finishes, which are matt black, matt white, aluminum, and bronze. All of which add a luxurious touch to any space.



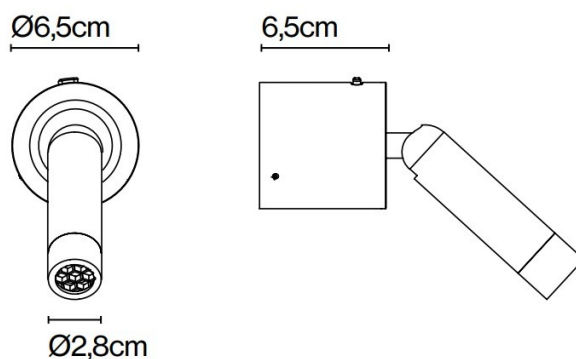
**PRODUCT SPECIFICATION**

**Light Source:** 2.1W, 2700K, 226.5 lumens

**IP Code:** 20

**Dimming:** Integrated on/off switch on the product

**Dimensions:** Wall Base: Ø6.5cm  
Shade: Ø2.8cm  
Depth: 6.5cm



**For all sales and technical enquiries, please contact:**

+44 (0)114 263 4266

[info@davidvillagelighting.co.uk](mailto:info@davidvillagelighting.co.uk)

[www.davidvillagelighting.co.uk](http://www.davidvillagelighting.co.uk)