

FOSCARINI

**Foscarini Lumiere Nuances
Table Lamp**

LA10481

SOURCE: <https://www.davidvillagelighting.co.uk/product/Foscarini-Lumiere-Nuances-Table-Lamp/10000255>

PRODUCT DESCRIPTION

Designer: Rodolfo Dordoni

**Foscarini Lumiere Nuances Table
Lamp**

The Lumiere Nuances table lamp was created by the evolving nature of the Lumiere collection designed by Rodolfo Dordoni 31 years ago. The Lumiere lights were an immediate success worldwide and with its iconic design now being available in a variety of finishes and colours. The Lumiere Nuance is the most recent version and has taken the collection to new heights.

Available in two sizes and three colours, the Lumiere Nuance table lamp is a modern sleek addition to any home. The colour wraps around the shade and stem which allows the extremely timely hues to be enhanced by the matte finish of the base. Sahara, a warm hue like desert sands; Cipria, a fascinating pink tone; and Creta, a sophisticated grey-green. The new finishes exaggerate the cleverly designed Foscarini table lamp that has been re-engineered for 2021.



PRODUCT SPECIFICATION

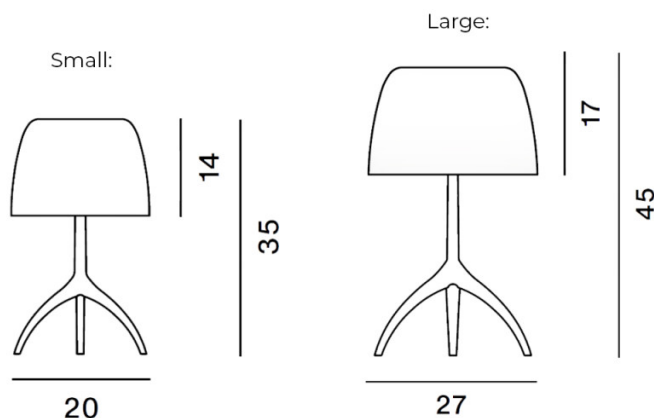
Light Source: **Small:** 1 x Max 6.5W E27 LED (included)
Large: 1 x Max 12W E27 LED (included)

IP Code: 20

Dimming: In-line dimmer included on cable.

Dimensions: Small:
Height: 35cm
Width: 20cm
Shade Height: 14cm
Cable Length: 190cm

Large:
Height: 45cm
Width: 27cm
Shade Height: 17cm
Cable Length: 200cm





For all sales and technical enquiries, please contact:

+44 (0)114 263 4266

info@davidvillagelighting.co.uk

www.davidvillagelighting.co.uk