



LA10453

# Santa & Cole Fontana LED Pendant

SOURCE: <https://www.davidvillagelighting.co.uk/product/Santa-Cole-Fontana-LED-Pendant/10000190>



## PRODUCT DESCRIPTION

Designer: Andre Ricard

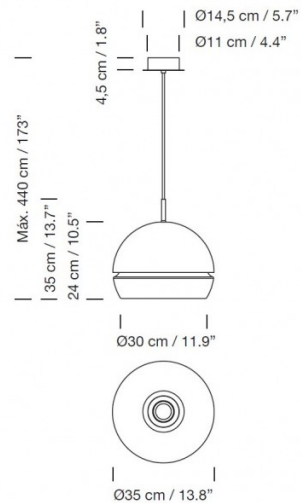
### Santa & Cole Fontana LED Pendant Light

The Fontana pendant was designed by the renowned Spanish designer André Ricard in 1970 and is an authentic expression of the Space Age. The pendant light is named after Lucio Fontana, a forward-thinking artist who founded the movement Spatialism after the Second World War. Fontana wanted to move art towards the future and did so through his massive output which included his famous monochromatic canvases that he put tears and slashes in. This created depth and brought a new dimension to art forms.

The Fontana pendant lamp nods to these canvas tears with a line near the bottom of the lampshade which emits the light outwards for an ambient glow. The pendant also illuminates out of the bottom which spreads evenly thanks to the included diffuser. The Fontana LED pendant is best used as a main light in smaller spaces or in multiple in larger spaces to create a welcoming effect. A true classic and timeless piece that will remain stylish for decades to come!

## PRODUCT SPECIFICATION

- Light Source:** 40W, 2700K, 1751 Lumens
- IP Code:** 20
- Dimming:** Dimmable via 1-10v dimming systems. Please consult your electrician, additional wiring may be required on site.
- Dimensions:** Shade: Ø35cm  
Shade Opening: Ø30cm  
Shade Height: 24cm  
Ceiling Canopy: Ø14.5cm  
Cable Length: 70cm-440cm





**For all sales and technical enquiries, please contact:**

+44 (0)114 263 4266

[info@davidvillagelighting.co.uk](mailto:info@davidvillagelighting.co.uk)

[www.davidvillagelighting.co.uk](http://www.davidvillagelighting.co.uk)