

Petite
Friture

Petite Friture Unseen LED Pendant Lamp

LA10446

SOURCE: <https://www.davidvillagelighting.co.uk/product/Petite-Friture-Unseen-LED-Pendant-Lamp/10000168>



PRODUCT DESCRIPTION

Designer: Studio Pepe

Petite Friture Unseen LED Pendant Lamps

The Petite Friture Unseen LED Pendant Lamps are designed by Studio Pepe in Milan in 2006 with the aim of creating a visionary identity. The J pendant, U pendant and O pendant ceiling lamps are made from modular curved LED light tubes with elegant brass finishes that seemingly float in space. Individually and as part of an ensemble, these suspended lights are proof of astounding technical mastery and profound simplicity. The Unseen collection is said to arouse emotions with its unique, elegant, and sensitive touch whilst beautifully balancing playfulness and sophistication.

These stunning ceiling lamps are highly adaptable as they can be installed vertically or horizontally to bring a sleek modern look to any space. Another adaptable feature of these LED pendant lamps is that they come with a ceiling cup included, however, are available to install in recessed ceilings without a ceiling cup. This can allow you to customise and curate your own personal installation which will highlight your space perfectly. For more information and pricing, please [contact us](#)

PRODUCT SPECIFICATION

Light Source: **Lamp J** - 12W, 2700K, 1030lumens
Lamp O - 7.6W, 2700K 660lumens
Lamp U - 8.5W, 2700K, 720lumens

IP Code: 20

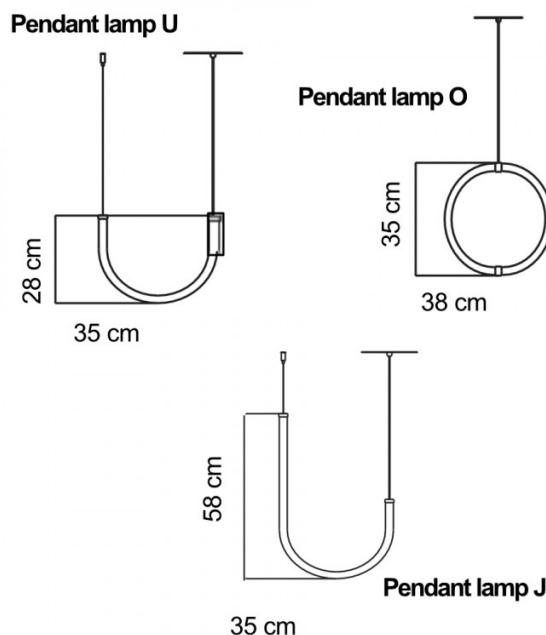
Dimming: Dimmable via mains phase dimming

Dimensions: Lamp J
 35cm length
 Ø2.4cm
 58cm height

Lamp O
 35cm length
 Ø2.4cm
 38cm height

Lamp U
 35cm length
 Ø2.4cm
 28cm height

Cable length:2.5m





For all sales and technical enquiries, please contact:

+44 (0)114 263 4266

info@davidvillagelighting.co.uk

www.davidvillagelighting.co.uk