

BERT | FRANK

Bert Frank Revolve Rise & Fall Pendant

LA10435/RF

SOURCE: <https://www.davidvillagelighting.co.uk/product/Bert-Frank-Revolve-Rise-Fall-Pendant/10000156>



PRODUCT DESCRIPTION

Designer: Bert Frank Design Team

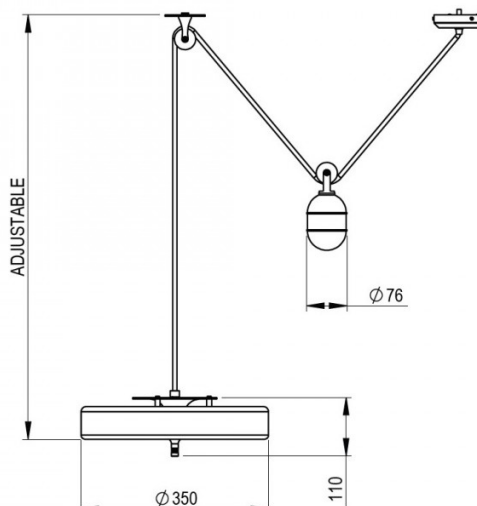
Revolve Rise & Fall Pendant Light by Bert Frank

The Revolve Rise and Fall pendant is the perfect solution for settings that adapt, with an adjustable function that lowers and rises the lampshade. The pendant light has a minimalist and sleek aesthetic, with a rounded shade that is made from metal, completed with a beautiful brushed brass fitting. The shade also has a diffuser, concealing the light bulbs to create a warm and soft glow that spreads out and directs downwards.

The Revolve Rise and Fall pendant lamp works by using a solid brass counterweight which entices the user to pull it up and down, being a talking point in any interior. The pendant can be used in many settings and works particularly well as a functional light above tables and surfaces that move in and out of the space. A stunning and innovative light, you can also match this pendant lamp with others from the [Bert Frank Revolve collection](#) for a complete look. Available in blue, green, white or black.

PRODUCT SPECIFICATION

- Light Source:** 3 x Max 4W G9 LED (included)
- IP Code:** 20
- Dimming:** Dimmable via mains phase dimming.
- Dimensions:** Shade: Ø35cm
Shade Height: 11cm
Counterweight: Ø76.6cm
Ceiling Canopy: Ø11.6cm
Cable Length: 300cm





For all sales and technical enquiries, please contact:

+44 (0)114 263 4266

info@davidvillagelighting.co.uk

www.davidvillagelighting.co.uk