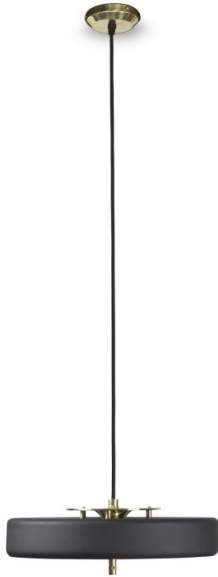




Bert Frank Revolve Pendant

LA10435

SOURCE: <https://www.davidvillagelighting.co.uk/product/Bert-Frank-Revolve-Pendant/10000152>



PRODUCT DESCRIPTION

Designer: Bert Frank Design Team

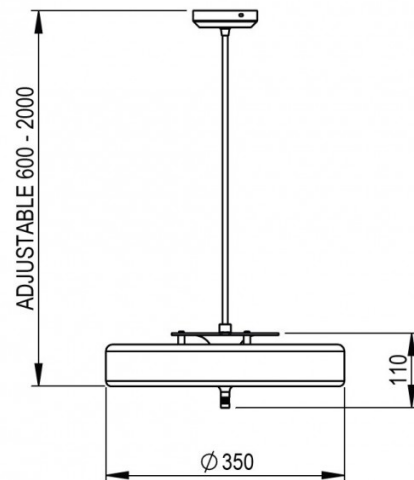
Revolve Pendant Light by Bert Frank

The Revolve pendant is part of the bestselling [Revolve collection](#) by Bert Frank. The pendant light has a minimalist design, inspired by Mid-Century Modern design that puts clean and simple lines at the forefront. The shade is made from spun aluminium and has an exquisite brass fitting that sits on the top and shows out of the bottom.

The Revolve pendant lamp is available in four colour finishes, black, blue, green or white, and comes with a brass ceiling canopy and an adjustable cable which can drop up to 200cm. The lampshade also comes with an opal diffuser to create a warm glow that spreads out and also directs downwards. Perfect for homes and commercial settings.

PRODUCT SPECIFICATION

- Light Source:** 3 x Max 4W G9 LED (included)
- IP Code:** 20
- Dimming:** Dimmable via mains phase dimming.
- Dimensions:** Shade: Ø35cm
Shade Height: 11cm
Ceiling Canopy: Ø11.6cm
Cable Length: 200cm



For all sales and technical enquiries, please contact:

+44 (0)114 263 4266

info@davidvillagelighting.co.uk

www.davidvillagelighting.co.uk