

BERT | FRANK

Bert Frank Colt Flush LED Wall Light

LA10433/F

SOURCE: <https://www.davidvillagelighting.co.uk/product/Bert-Frank-Colt-Flush-LED-Wall-Light/10000144>

PRODUCT DESCRIPTION

Designer: Bert Frank Design Team

Colt Flush LED Wall Light by Bert Frank

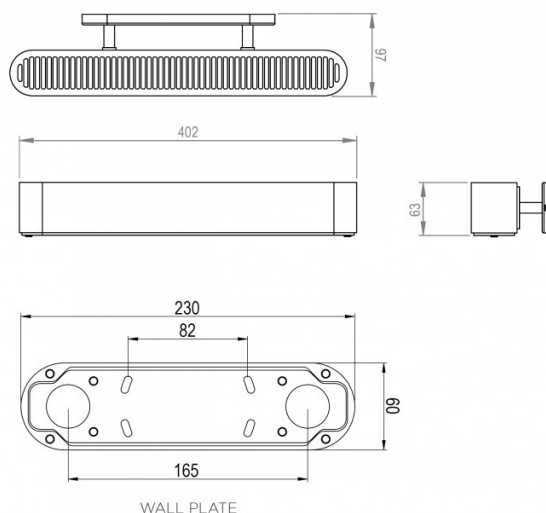
Designed as part of the [Bert Frank Colt collection](#), the Colt Flush light is a subtle and effective fixture, perfect for lining the walls in multiple for an upward and downward glow. Unlike the other wall lights in the collection, this wall lamp sits flush to the wall, having a simpler aesthetic that is perfect for minimalist settings and big projects.

The Colt Flush wall lamp is made from brushed brass and has a gorgeous rounded lampshade that has a grill pattern, inspired by the grills found on classic cars. A testament to British engineering and design, this wall lamp will add a vintage and striking touch to any interior.



PRODUCT SPECIFICATION

- Light Source:** 15.5W, 2700K
- IP Code:** 20
- Dimming:** Dimmable via mains phase dimming.
- Dimensions:** Length: 40.2cm
Depth: 9.7cm
Height: 6.3cm
Wall Base Length: 23cm
Wall Base Height: 6cm



For all sales and technical enquiries, please contact:

+44 (0)114 263 4266

info@davidvillagelighting.co.uk

www.davidvillagelighting.co.uk