

Artemide

# Artemide nh S2 Suspension

LA6050/S2

SOURCE: <https://www.davidvillagelighting.co.uk/product/Artemide-nh-S2-Suspension/10000139>



## PRODUCT DESCRIPTION

Designer: Neri&Hu

### Artemide nh S2 pendant

The nh suspension collection was designed by Neri&Hu, the duo who's creativity stems from research. They believe that each project has its own contextual issues. The nh lights are a perfect blend of balance, colour and material with a sustainable design, equipped with a low-energy LED retrofit lamp. The lights are a modern take to the traditional Chinese lantern, as most of their designs are a tribute to Oriental culture. A blown glass diffuser sits perfectly into a brass ring and suspends gracefully from a metal rail.

The nh suspension lights are available in two diffusers sizes. The S2 14 and S2 22 have a rail of 87.5 cm and the choice of a Ø14 cm or Ø22 cm glass diffuser. The suspensions become a non-static piece, perfectly balanced that defined by their match of colour and material. The nh Collection includes a multi-functional table lamp and a wall light.

A nh cluster light, [S3 14](#), is also available with three rails and Ø 14 cm blown glass diffusers.

## PRODUCT SPECIFICATION

**Light Source:** **S2 14** - 1 x Max 5W E14 LED DIM (excluded)  
**S2 22** - 1 x Max 15W E27 LED DIM (excluded)

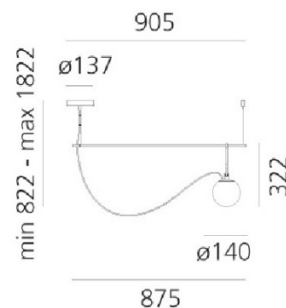
**IP Code:** 20

**Dimming:** Dimmable via mains phase dimming.

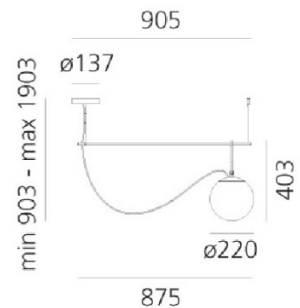
**Dimensions: S2 14**  
Diffuser: Ø14cm  
Width: 87.5cm  
Drop Height: 82.2cm - 182.2cm  
Ceiling Rose: Ø13.7cm

**S2 22**  
Diffuser: Ø22cm  
Width: 87.5cm  
Drop Height: 82.2cm - 182.2cm  
Ceiling Rose: Ø13.7cm

### nh S2 14



### nh S2 22





**For all sales and technical enquiries, please contact:**

+44 (0)114 263 4266

[info@davidvillagelighting.co.uk](mailto:info@davidvillagelighting.co.uk)

[www.davidvillagelighting.co.uk](http://www.davidvillagelighting.co.uk)