



# Moooi Plie Plisse Light

LA10440

SOURCE: <https://www.davidvillagelighting.co.uk/product/Moooi-Plie-Plisse-Light/10000132>

## PRODUCT DESCRIPTION

Designer: Lukas Bazle

### Moooi Plié Plissé Light

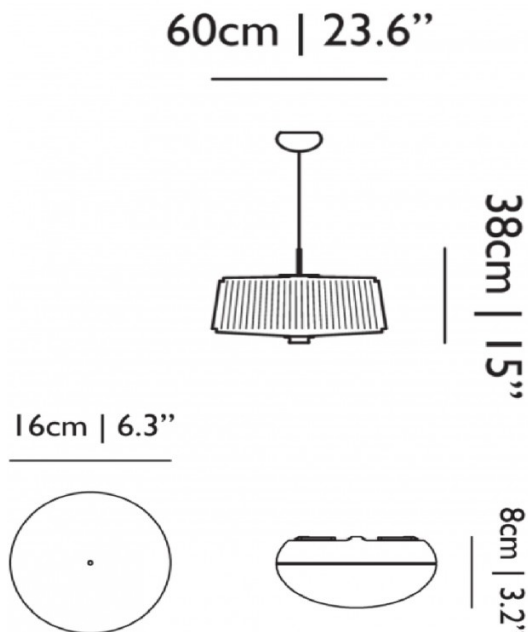
The Plié Plissé Light was created by German designer Lukas Bazle, who says his main inspiration behind his designs is to rethink and add value to something that normally goes unnoticed. His latest design, the Plié Plissé Light, was inspired by the kinetic movement of nature that he observes around him. The Plie Plisse ceiling suspension lamp is a venture by Moooi who say the extra 'o' in their brand name stands for 'extra value in terms of beauty and uniqueness'. This is clear within the design of the Plié Plissé Light which balances beauty and function in a unique honeycomb pleated shade.

This elegant design is also highly functional as the Plié Plissé ceiling lamp allows you to choose the intensity and direction of the light through movement, thanks to the circular handle which is situated on the underside of the shade. This handle can be used to gently concave the shade, which results in a soft and even ambient light, or can be softly pulled downwards so the shade sits flat and results in a direct and more functional downlight. The movement of this ceiling pendant light is said to 'dance along to the rhythm of your life'. The honeycomb pleated design of the shade adds a subtle beauty to the shade whilst also allowing the light to be functional within it's surroundings.



## PRODUCT SPECIFICATION

- Light Source:** 1 x Max 10W E27 LED (included)
- IP Code:** 20
- Dimming:** Dimmable via mains phase dimming.
- Dimensions:** Shade: Ø60cm  
Shade Depth: 38cm  
Cable Length: 250cm





**For all sales and technical enquiries, please contact:**

+44 (0)114 263 4266

[info@davidvillagelighting.co.uk](mailto:info@davidvillagelighting.co.uk)

[www.davidvillagelighting.co.uk](http://www.davidvillagelighting.co.uk)