

ANGLEPOISE®

Anglepoise Original 1227 Midi Wide Brass Pendant

LA5303/BW

SOURCE: <https://www.davidvillagelighting.co.uk/product/Anglepoise-Original-1227-Midi-Wide-Brass-Pendant/10000129>



PRODUCT DESCRIPTION

Designer: George Carwardine

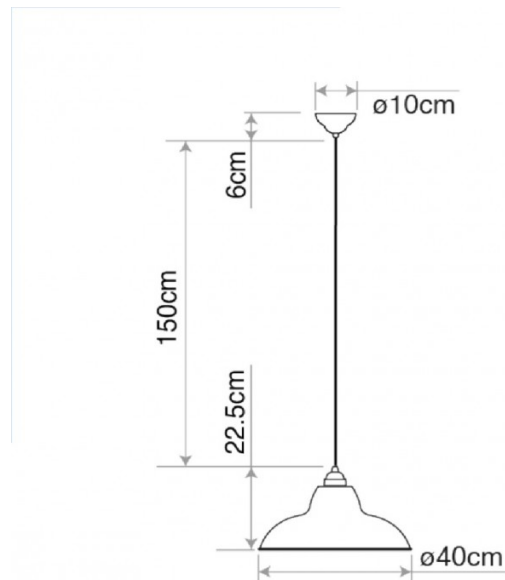
Anglepoise Original 1227 Midi Wide Brass Pendant

The Anglepoise Original 1227 Midi Wide Brass Pendant uses its iconic design and wide lamp shade to add a bright visual feature to any room. Its unique wide metal lamp shade comes in a selection of classic Anglepoise colours from a bold Jet Black, to a soft Elephant Grey and the iconic Ink Blue. These colours all highlight the brass metallic feature which add an elegant touch to a timeless British design.

The tactile nature of the fabric cord allows not only flexible fitting but also a contrast between the metallic shade which softens the overall design of this iconic ceiling lamp. The Anglepoise Original 1227 Midi Wide Brass Pendant allows light to flood a room with its uniquely wide metal shade. This elegant ceiling light is a modern twist to an iconic British classic.

PRODUCT SPECIFICATION

- Light Source:** 1 x Max 15W E27 (excluded)
- IP Code:** 20
- Dimming:** Dimmable via mains phase dimming.
- Dimensions:** Shade: Ø40cm
Shade Height: 22.5cm
Cable Length: 150cm
Ceiling Rose: Ø10cm



For all sales and technical enquiries, please contact:

+44 (0)114 263 4266

info@davidvillagelighting.co.uk

www.davidvillagelighting.co.uk